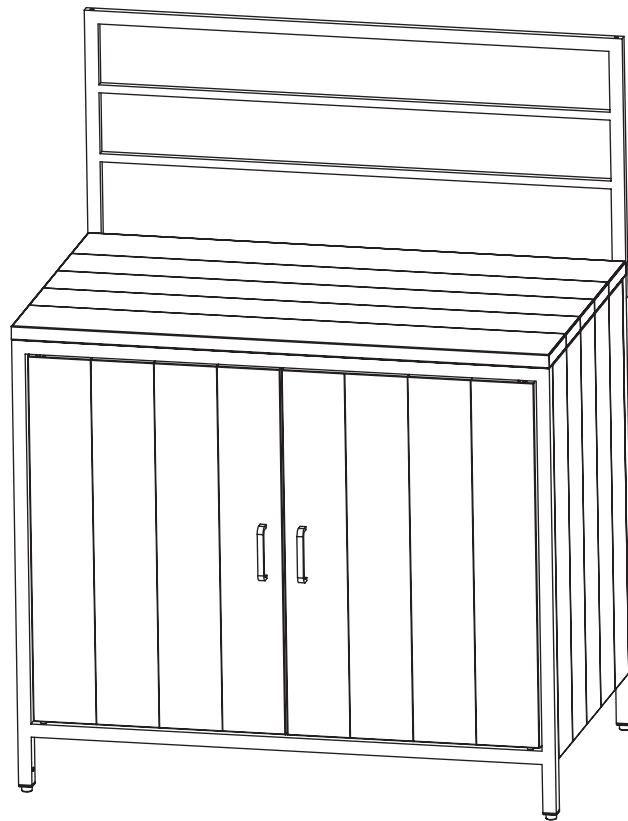


**F C C**  
**B B Q**  
**OUTDOOR KITCHEN**



**OUTDOOR KITCHEN - CABINET MODULE**

A L U M I N U M

FCC-A-10140

A S S E M B L Y & M A I N T E N A N C E

**IMPORTANT, RETAIN FOR FUTURE REFERENCE: READ CAREFULLY.**

**WHO ARE WE?**

The Flying Culinary Circus is the world's first traveling cooking group. In 2005 Trond, Hans-Kristian, Mathias, and Tor, went to New York. A journey that ended up being an adventure of a lifetime. With 65 countries and 300,000 hours of culinary experience in the Chef whites, we have developed, designed, and produced a wide range of grills and accessories that add something new and unique to the grill range in the Nordic region.



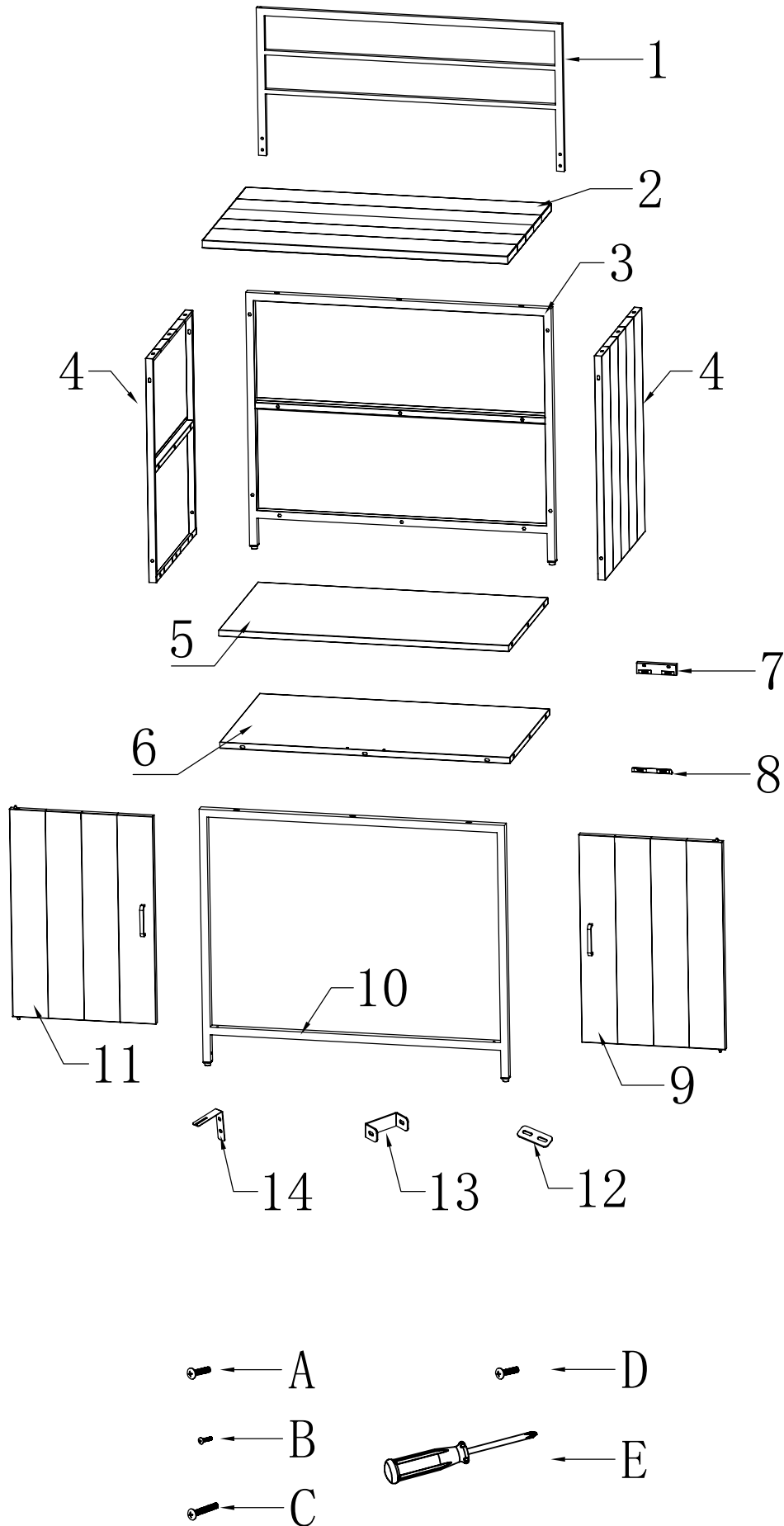
Hans-Kristian, Mathias, Trond and Tor.

Something we have always had is great love for grilling and barbecue as a cooking method. Whether we have a garden party, enjoy summer evenings in the park, cater for famous guests on the French Riviera or simply just go on a cabin trip, barbecue and grilling is in the center. It's fantastic flavors, it's tough, it's cool and it's love for the most amazing cooking method in the world! 2024 will be the seventh year for FCC BBQ, and we're very proud and humble for the success and what we as a company have achieved. For all of FCC BBQ products, the common denominator is high quality and functionality at a good price. We want to inspire the world through cooking. Just as our vision: Share the fun of cooking!

## INTEGRATE YOUR GAS BARBECUE WITH THE OUTDOOR KITCHEN MODULAR SYSTEM

The FCC BBQ Kitchen modular system consists of modules that allows you to individually arrange your unique outdoor kitchen. The Performance II barbecue series are in same colour as the kitchen modules as shown in the photo below. Extend your barbecue area by adding a perfectly thought-out kitchen for your outdoor spaces.





Code	Description	Qty
1	Back wall	1
2	Table top	1
3	Back panel	1
4	Side panel	2
5	Middle shelf	1
6	Bottom panel	1
7	Upper door magnet	1
8	Lower door magnet	1
9	Right door	1
10	Door frame	1
11	Left door	1
12	Back connection	6
13	Leg connection	2
14	Wall mounting	2

## FIXING MATERIAL

Code	Description	Qty
A	M6x20 screw	35
B	M4x12 screw	4
C	M6-40 countersunk head screw	6
D	M6x25 screw	4
E	Screwdriver	1

We recommend assembling the module on a flat surface.

**Insert all screws first, do not tighten. Tighten all screws when module is fully assembled.**

**Maximum load: 80 kg**

**Net weight: 19.5 kg**

### WARNING!

DO NOT USE ELECTRICAL TOOLS TO ASSEMBLE THE FURNITURE.  
TOOLS WITH EXCESSIVE FORCE MAY DAMAGE THE SURFACE COATING OF SCREWS, DAMAGE ENAMEL/PAINTED PARTS OF THE MODULES, AND LOOSEN PRE-FITTED NUTS.

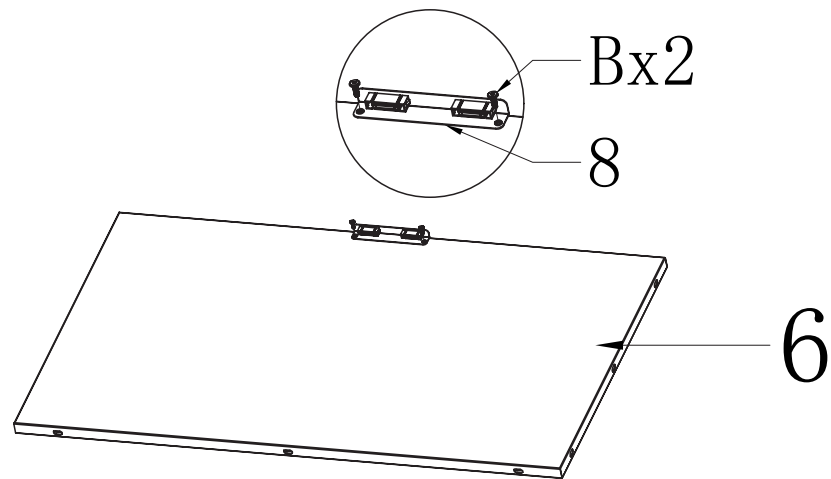
### TIP!

If the furniture appears crooked or bowed after fully assembled, loosen all the screws. Straighten each part and tighten screws again. The furniture should be placed and mounted on a level surface for the best possible result, but to take up any unevenness you can adjust the height of each leg individually.

## STEP 1

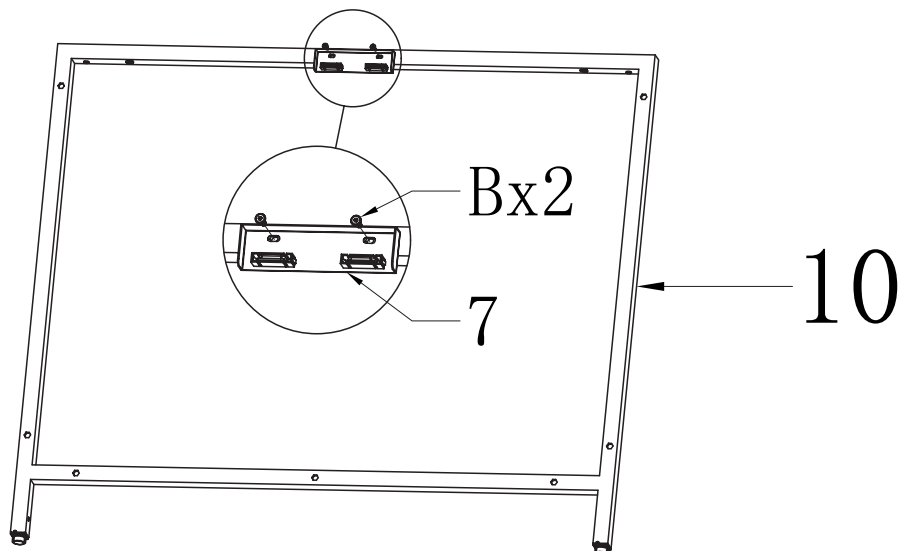
Mount lower door magnet (8) to bottom panel (6), using 2 pcs M4x12 screws (B).

PLACE A PIECE OF CARDBOARD ON THE FLOOR (E.G THE OUTER CARTON) TO PREVENT SCRATCHING THE UNIT AND PARTS DURING ASSEMBLY.



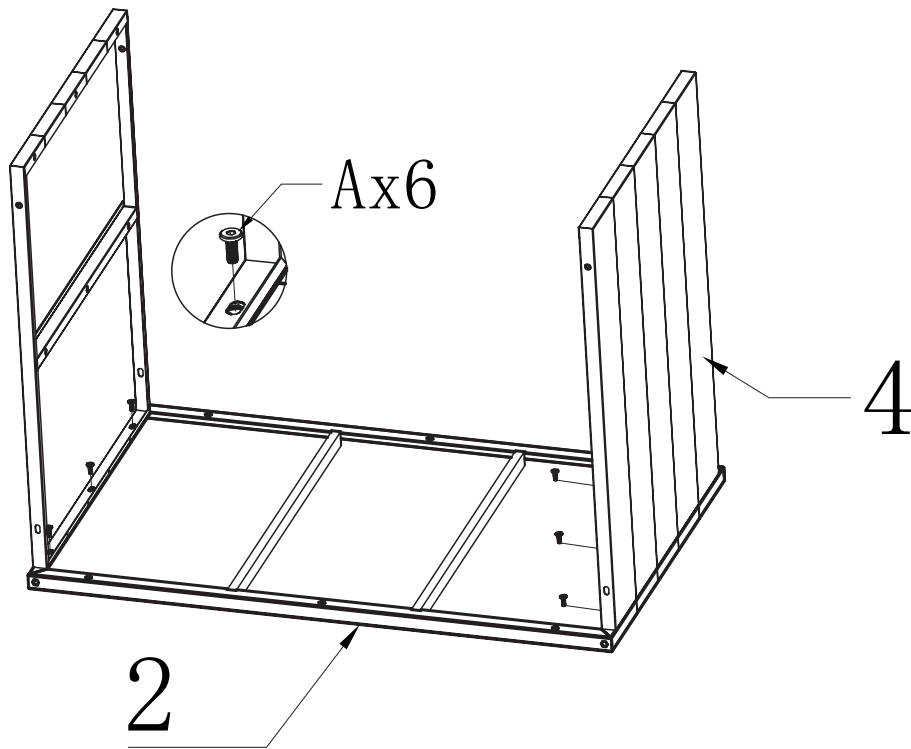
## STEP 2

Mount upper door magnet (7) to door frame (10), using 2 pcs M4x12 screws (B).



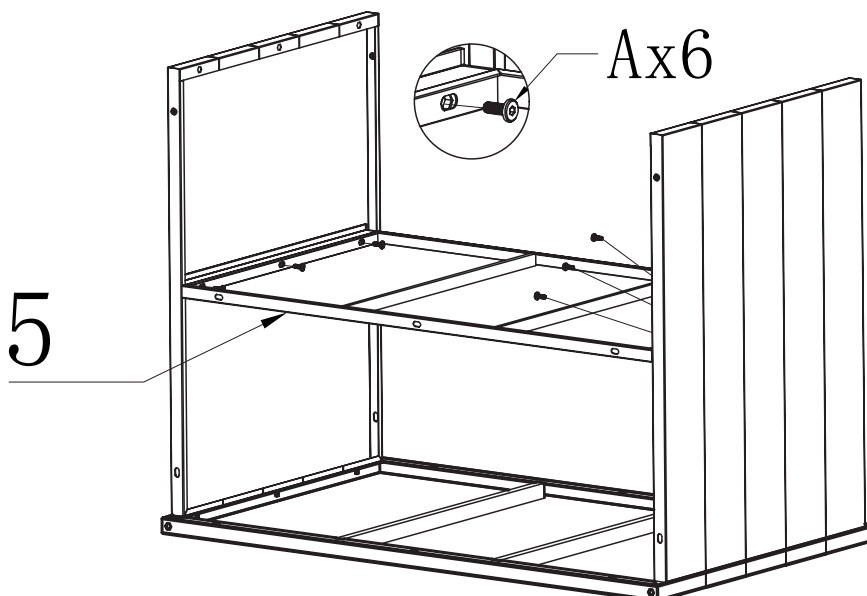
## STEP 3

Mount side panels (4) to table top (2) using 6 pcs M6x20 screws (A).



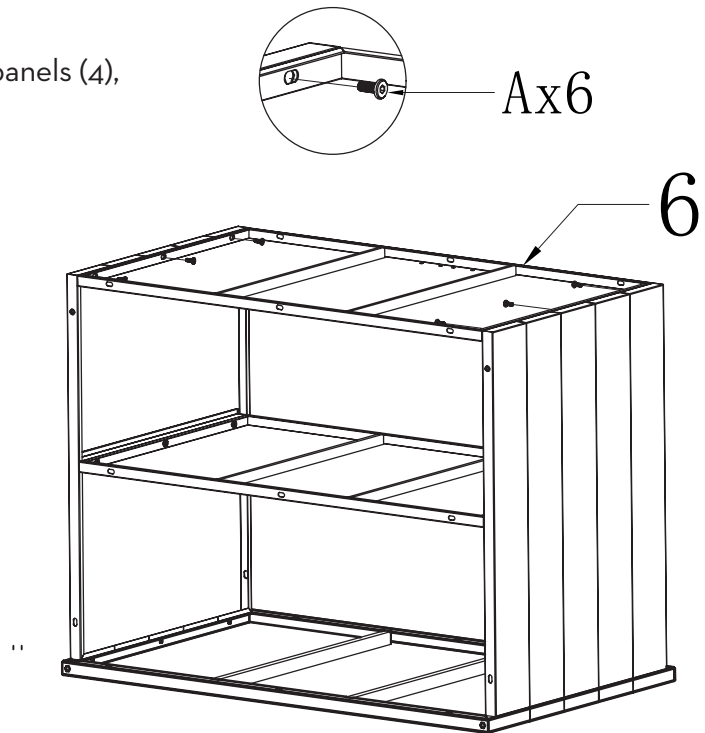
## STEP 4

Mount middle shelf (5) to side panel (4), using 6 pcs M6x20 screws (A).



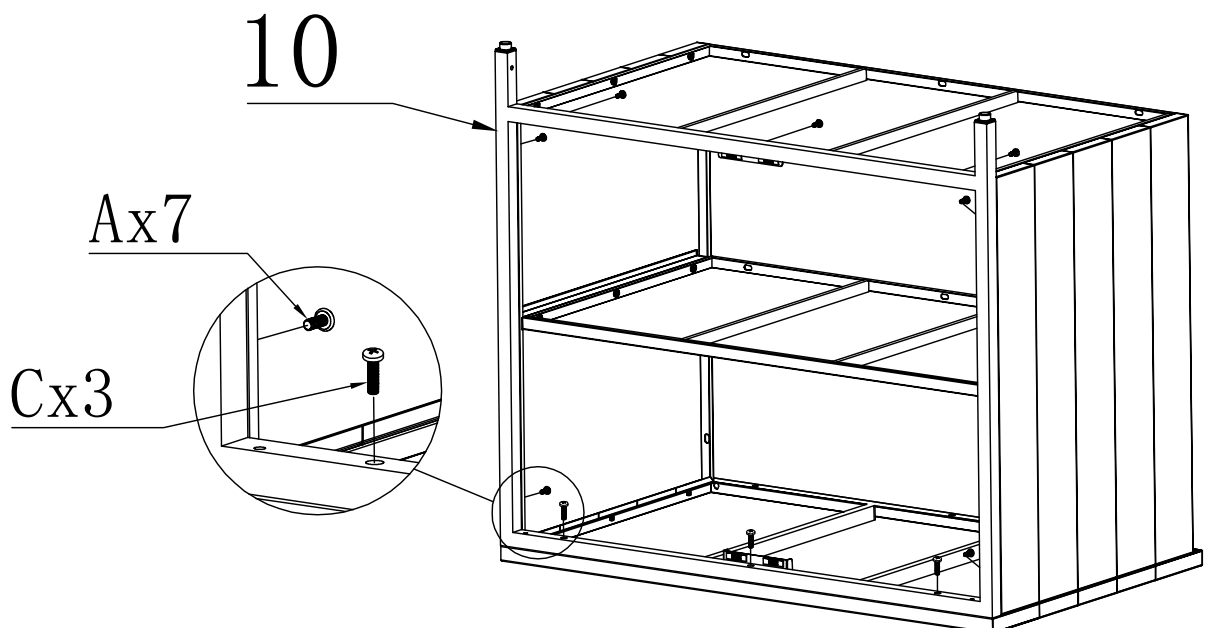
## STEP 5

Mount bottom panel (6) to side panels (4), using 6 pcs M6x20 screws (A).



## STEP 6

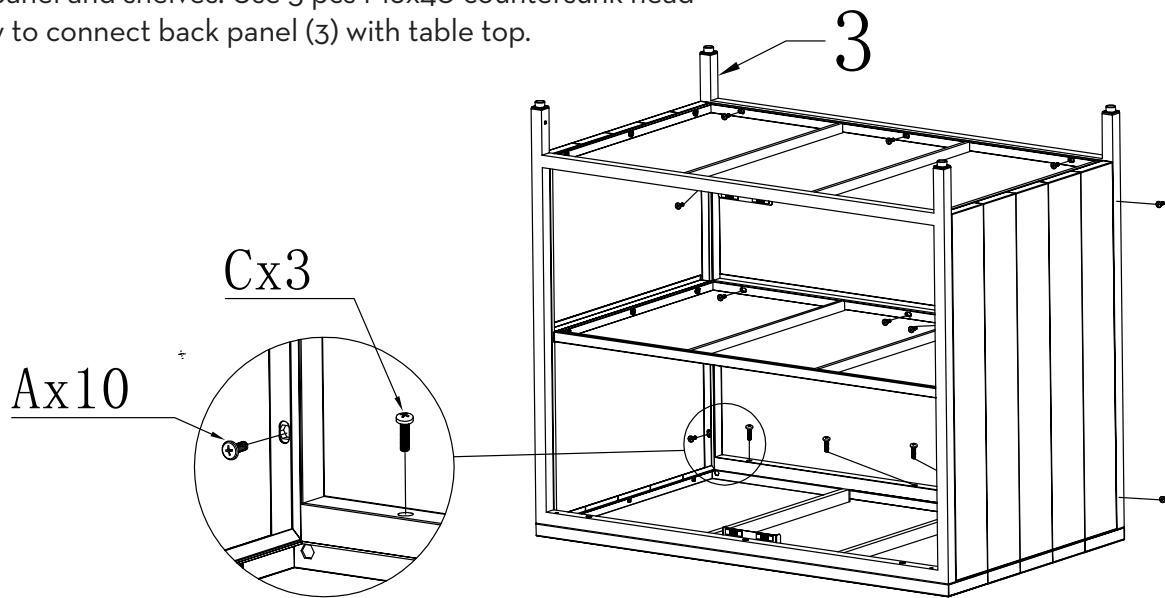
Mount door frame (10) to cabinet, using 7 pcs M6x20 screws (A) on the side and bottom panel. Use 3 pcs M6x40 countersunk head screws (C) to connect door frame with table top.





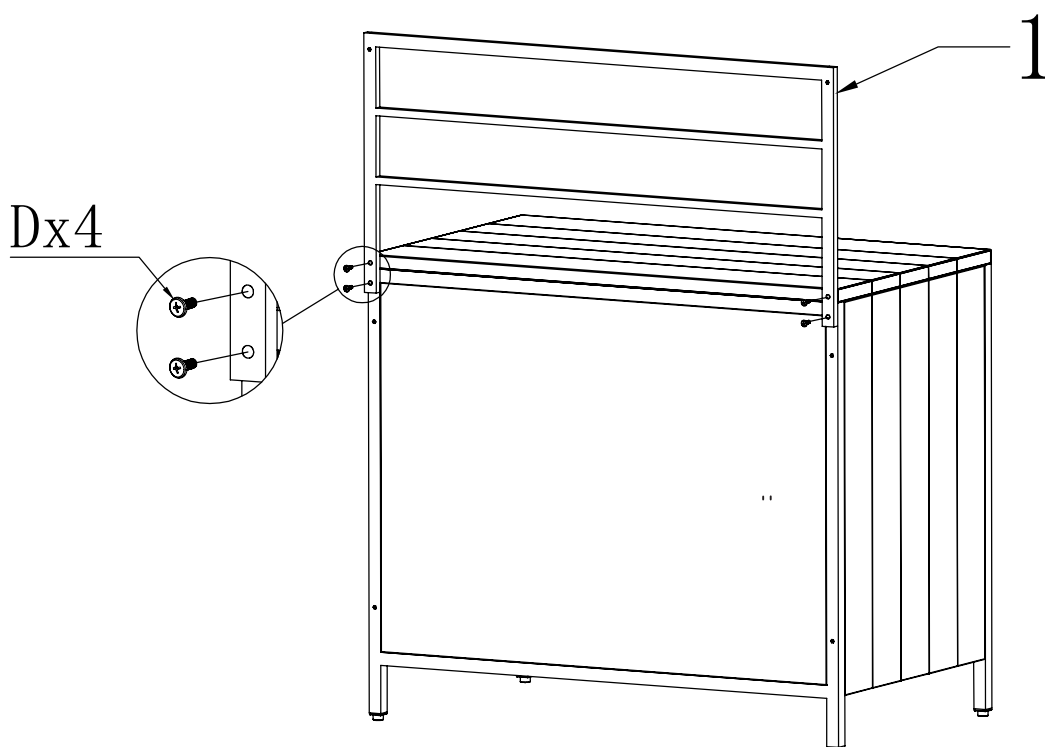
## STEP 7

Use 10 pcs M6x20 screws (A) to connect back panel (3) to side panel and shelves. Use 3 pcs M6x40 countersunk head screw to connect back panel (3) with table top.



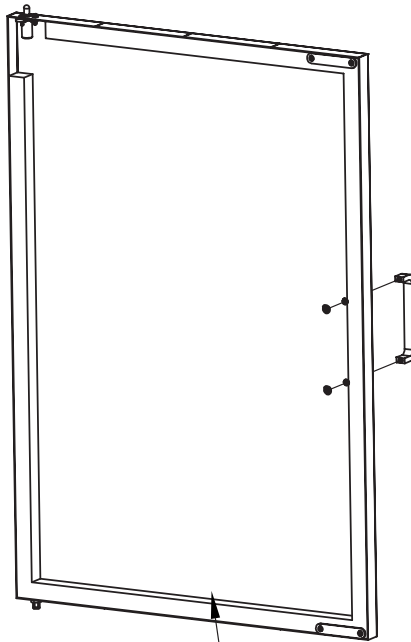
## STEP 8

Mount back wall (1) to cabinet using 4 pcs M6x25 screws (D).



## STEP 9

Disassemble the pre-installed screws on door handle, then fix the handle to the door.

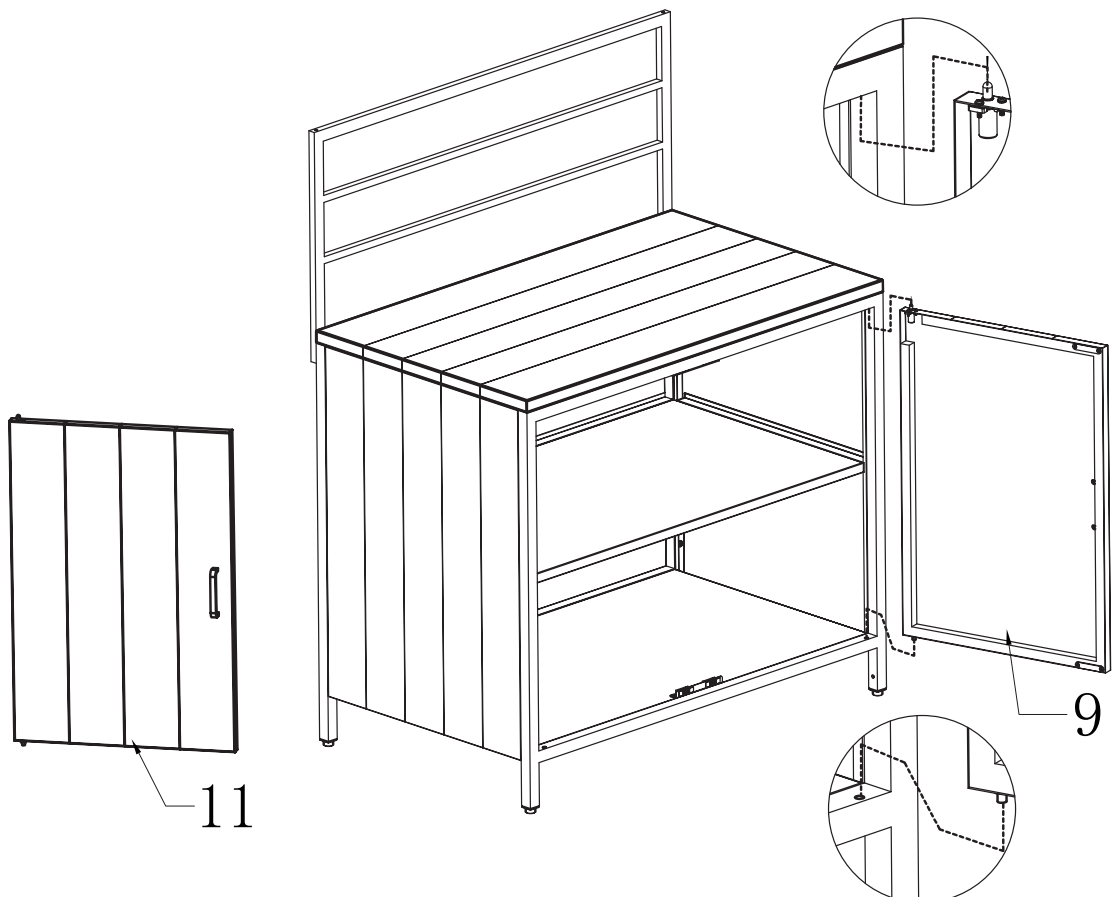


9

## STEP 10

Press the upper door axle pin and align it with hole on the door frame, then release the pin and insert it into the hole.

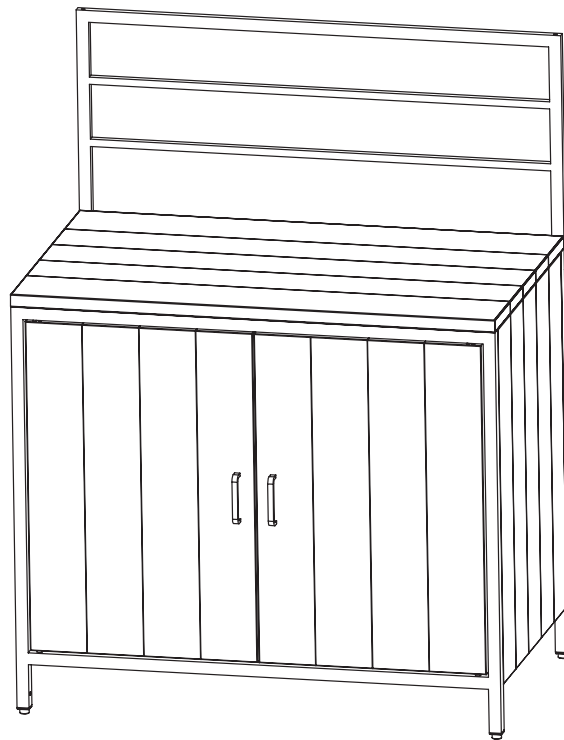
Use the same procedure for both left and right door.



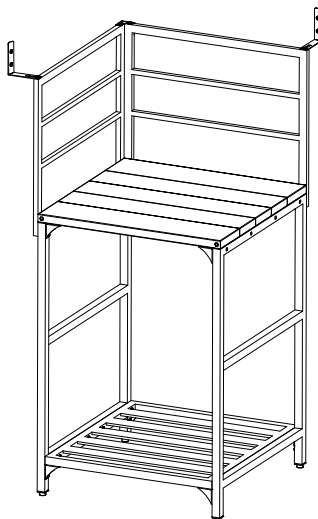
11

9

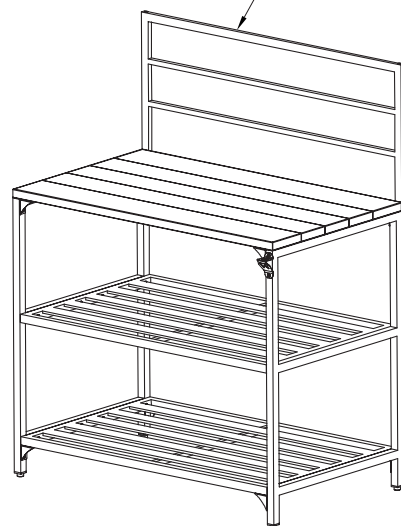
STEP 11  
Fully assembled cabinet module.



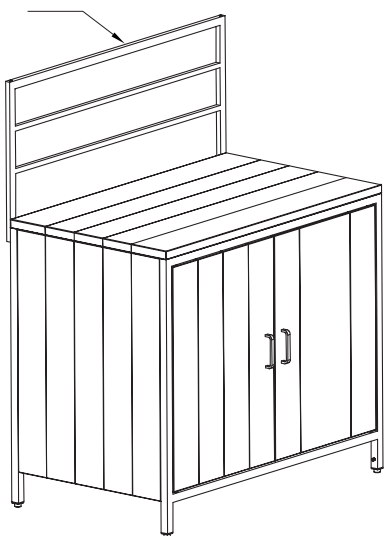
Corner Module  
FCC-A-10141



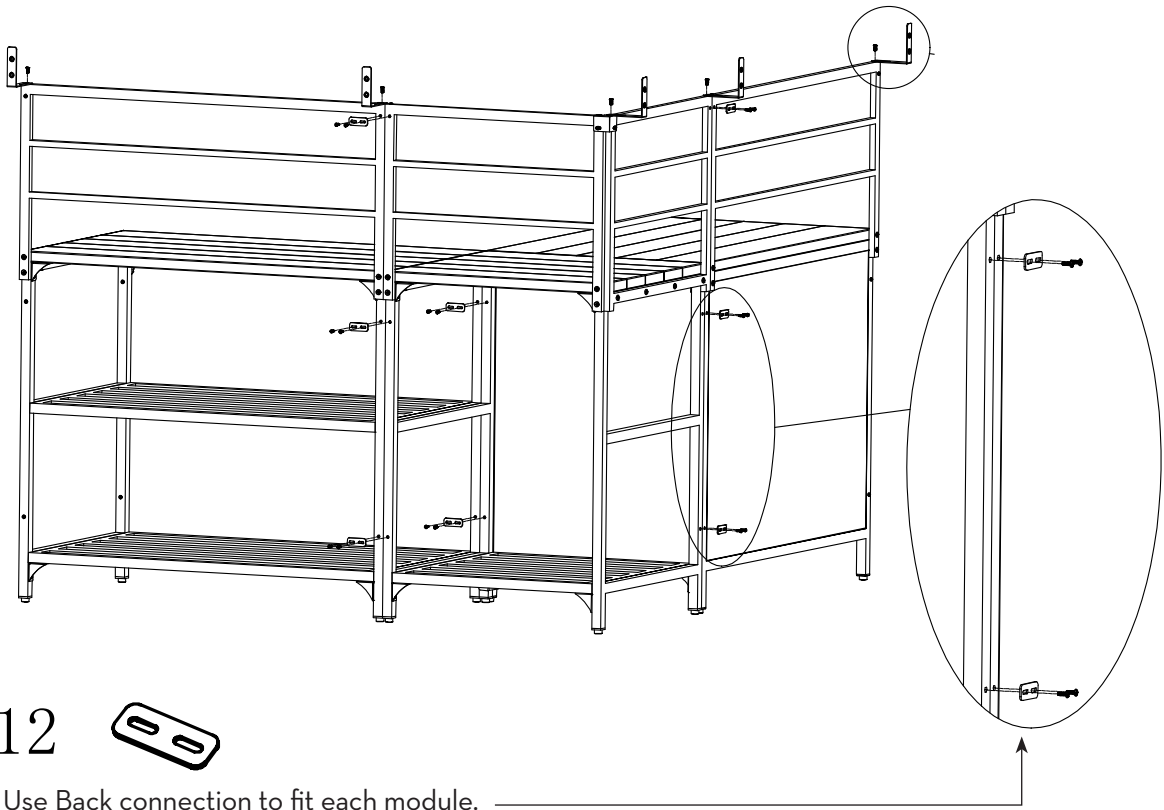
Shelves Module  
FCC-A-10142



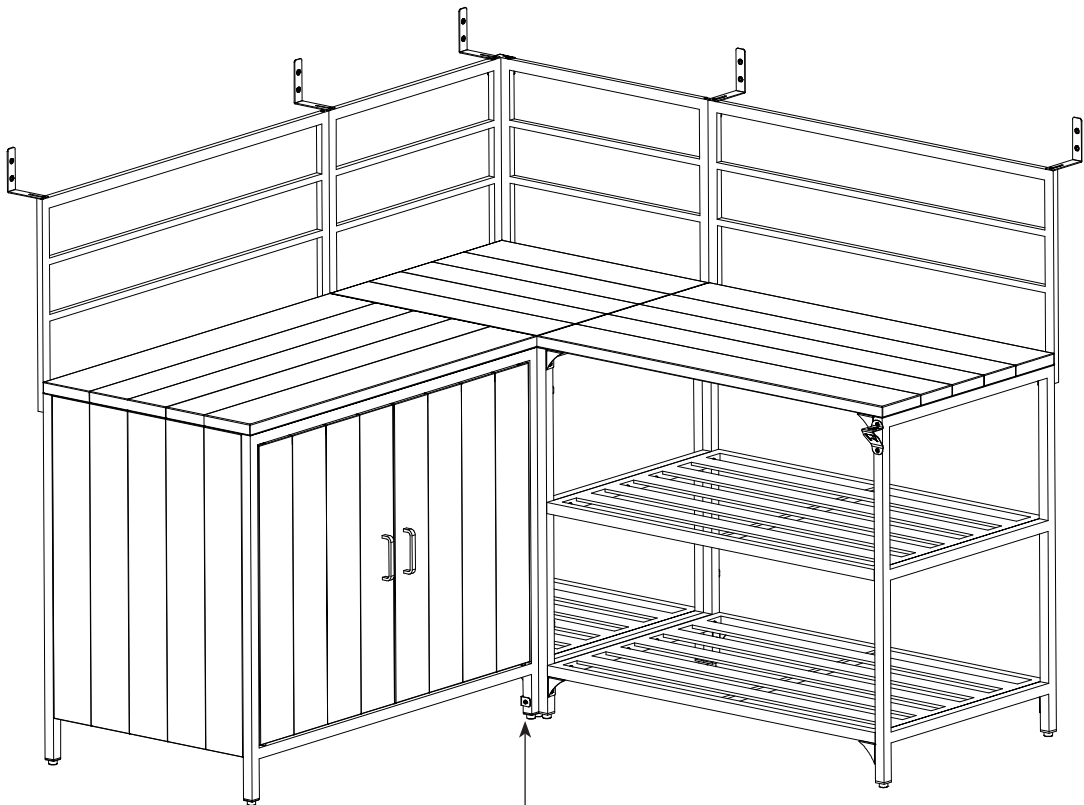
Cabinet Module  
FCC-A-10140



FCC BBQ Outdoor Kitchen have these modules available: Corner Module, Shelve Module and Cabinet Module. Modules are sold separately.



Use Leg connection to fit each module.

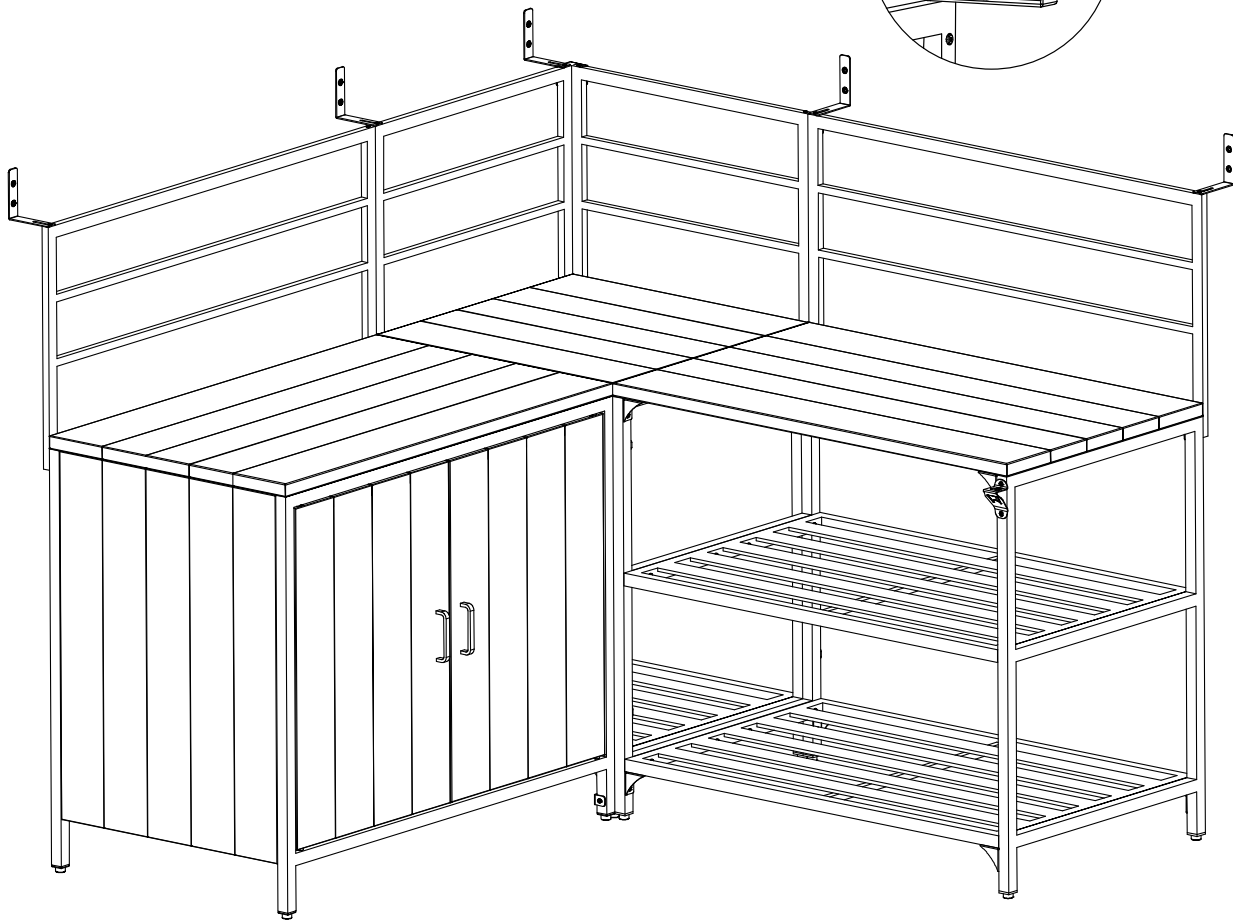
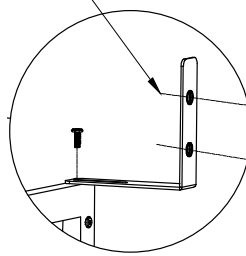


14



Use Wall connection to secure each module to prevent the modules from overturning.

**Screws for wall connection are not included.**



**The module must be secured to the wall with the corresponding fixing brackets. This is to prevent the risk of overturning in strong winds. If several modules are assembled together, each module must be secured with the brackets.**

- If the furniture is to be stored outdoors all year, then you must ensure that water is drained from the furniture and that it is not left standing with water in the frame. This can cause frost damage and will not be covered by warranty.
- All metals can rust under the right conditions. Aluminum has an extremely high resistance, but regular cleaning and maintenance will increase its lifespan.
- Salts, sea air, bird droppings, paint scratches, and other strain may harm the finish over time. Clean regularly to prevent this from occurring.
- Note! The furniture may have sharp edges. We have done our best to remove sharp edges during production, but we recommend to exercise caution when handling the product.
- THIS PRODUCT IS DESIGNED FOR USE IN DOMESTIC HOUSEHOLDS AND IS NOT INTENDED FOR COMMERCIAL USE IN RESTAURANTS OR SIMILAR VENUES
- The painted surface of the furniture may be affected by sunlight. This does not affect the properties of the furniture and is not covered by warranty. To prevent this, use a cover to protect.
- The painted surface of the furniture can be worn/scratched during use. This must be fixed to prevent rust from forming in damaged surface areas.
- The furniture must only be used for its intended purpose and must not be exposed to weight exceeding its maximum specification nor exposed to other loads/strain. **DO NOT STAND OR JUMP ON THE FURNITURE AS THIS MAY DAMAGE THE PRODUCT.**
- In the event the furniture is overloaded, the joints and fittings may be damaged, affecting the furniture's strength and structure. This is not covered by warranty.
- Check for the presence of any damage before assembly. Please contact [support@fccbbq.no](mailto:support@fccbbq.no) for any inquiries.
- The surface of the furniture may become very hot in direct sunlight. Please be aware of this and avoid use in high temperatures, as this may cause injury.
- The furniture is intended for outdoor use.
- Do not use electrical tools to assemble the furniture. Tools with excessive force may damage the surface coating of screws, damage enamel/painted parts of the grill, and loosen pre-fitted nuts.
- Inserting screws wrongly, torquing with excessive force, or using electrical tools may damage the threading. The aluminum frames can bend if you tighten the screws too hard. Damage as such will not be covered by the warranty.
- Keep children and others who require supervision at a safe distance away to prevent them from climbing on the furniture. This may entail a risk of injury. Children must be supervised by adults when using the furniture.
- Covers must not be applied before the furniture is completely cool and dry. Moisture on the inside of covers may cause large formations of surface rust and damage to painted components.

## MAINTENANCE OF ALUMINUM FURNITURE

Aluminum requires less maintenance, but it may corrode over time in damp and salty environments.

- Ensure regular cleaning with gentle soapy water and a soft brush or sponge. If the furniture is exposed to a lot of acid rain, pollution, bird droppings, and similar waste that can corrode the surface treatment and leave ugly stains. Clean the surface with clean water at the end to remove remaining soap.
- Please note that while aluminum can handle a lot, it can't take everything. It won't withstand being bent repeatedly, and corrosion may occur in the presence of salts, salt water, and other metal alloys. Aluminum is generally considered rust-free, but corrosion may occur if it is left exposed.
- If the furniture takes surface damage that removes the paint, we recommend using a paint repair pen or similar tool to prevent oxidization. Contact your nearest retailer.
- Use a garden hose for cleaning. The use of pressure washers is not recommended, as this may harm the furniture and its surface coating.

## SHORT AND LONG-TERM STORAGE

- Clean the furniture before storing and make sure provide it with extra protection. Use suitable cleaning products and wipe it down with a damp cloth.
- Make sure that the furniture is dry and not heated before storing under a furniture cover. If this is skipped, it may create a reaction with the cover, or leave stains or undesirable marks on the furniture. If there is moisture on the furniture, it may cause frost damage to the frame or joints. This may expand and damage the structure if ice forms. Ensure that there is no water in the frame before storage. If present, any water must be drained using the drainage holes.
- If you are storing the furniture in a cover during the winter, ensure proper ventilation.
- The furniture must be stored right side up to prevent water from entering the frame.
- Please note that damage caused by improper storage and/or frost damage will not be covered by warranty.
- If the furniture is to be stored outdoors all year, then you must ensure that water is drained from the furniture and not left standing with water in the frame. This can cause frost damage and will not be covered by warranty.

# F C C B B Q OUTDOOR KITCHEN

## WARRANTY CLAIM

This product is covered by a warranty in accordance with consumer legislation. It has undergone strict quality controls and testing at the factory. If there are any parts missing or the product has been damaged, please contact your dealer or the consumer contact below for help.

In the event of damage to the product, we ask for pictures of the damage and damage to the product's packaging is attached to the complaint.

Faults due to misuse, lack of maintenance or modification of the product will invalidate the warranty. Damaged parts not due to a fault with the product will be invoiced according to our price list + carriage and administration fee.

If new parts are needed or in the event of a warranty claim, please contact your dealer or consumer contact:

## FCC PRODUCTS AS

KJELLER VEST 3, 2007 KJELLER,  
NORWAY



+47 924 78 600

Support opening hours: Mon-Fri 10:00-14:00

✉ support@fccbbq.com

**FCCBBQ.NO**

**FCCBBQ.SE**

**FCCBBQ.COM**

**Always attach your receipt when making a warranty claim.**

---

PRODUCED IN CHINA FOR FCC PRODUCTS

We are always looking for ways we can improve our products. Therefore, we reserve the right to change technical specifications at any time. You will always find the latest manual on [WWW.FCCBBQ.COM](http://WWW.FCCBBQ.COM).