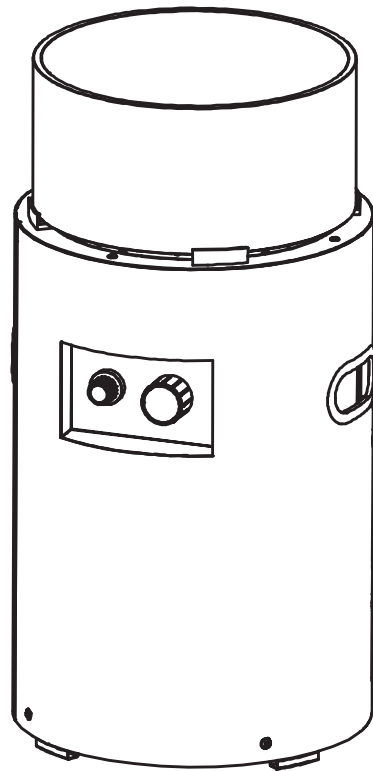


**F C C**  
**B B Q**  
**T E R R A Z Z A**



**TERRAZZA - PILAR 68CM**

POWDER COATED STEEL

FCC-PB-10012

A S S E M B L Y & M A I N T E N A N C E

IMPORTANT, RETAIN FOR FUTURE REFERENCE: READ CAREFULLY.

**WHO ARE WE?**

The Flying Culinary Circus is the world's first traveling cooking group. In 2005 Trond, Hans-Kristian, Mathias, and Tor, went to New York. A journey that ended up being an adventure of a lifetime. With 65 countries and 300,000 hours of culinary experience in the Chef whites, we have developed, designed, and produced a wide range of grills and accessories that add something new and unique to the grill range in the Nordic region.



Hans-Kristian, Mathias, Trond and Tor.

Something we have always had is great love for grilling and barbeque as a cooking method. Whether we have a garden party, enjoy summer evenings in the park, cater for famous guests on the French Riviera or simply just go on a cabin trip, barbecue and grilling is in the center. It's fantastic flavors, it's tough, it's cool and it's love for the most amazing cooking method in the world! 2024 will be the seventh year for FCC BBQ, and we're very proud and humble for the success and what we as a company have achieved. For all of FCC BBQ products, the common denominator is high quality and functionality at a good price. We want to inspire the world through cooking. Just as our vision: Share the fun of cooking!

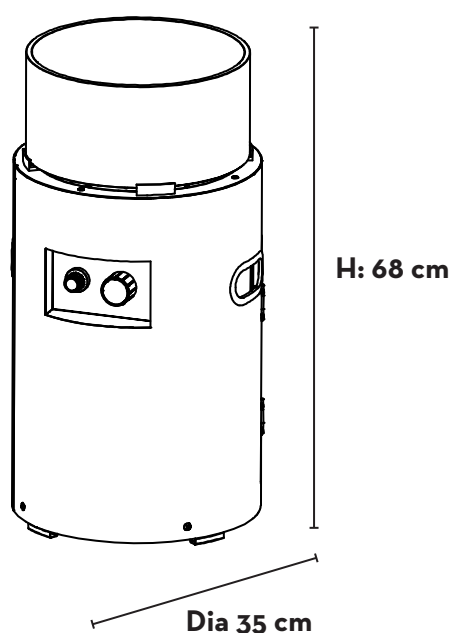
**Weight incl. lava stone:** 9.9 kg

**Total Heat input:** 8kW

**Gas consumption:** 581 gram/hour

**Gas cylinder (not included):** Use standard cylinder approved for use in the Nordic Region, 5 kg bottle is recommended. Even though butane and propane gas can be used, we recommend propane for use in the Nordic Region. Approved hoses and regulators are available from most outlets selling gas equipment.

**NB!** Gas hoses used for this product must not exceed 120 cm in length.



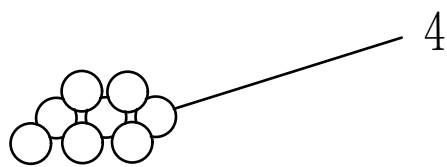
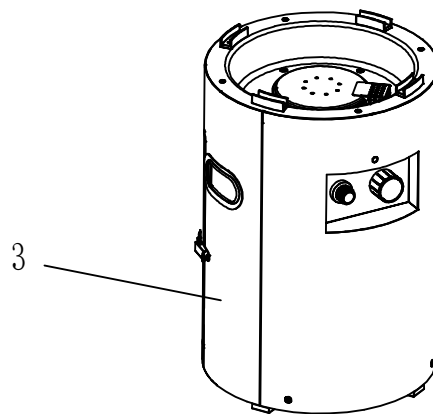
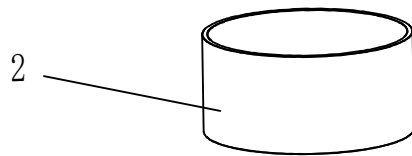
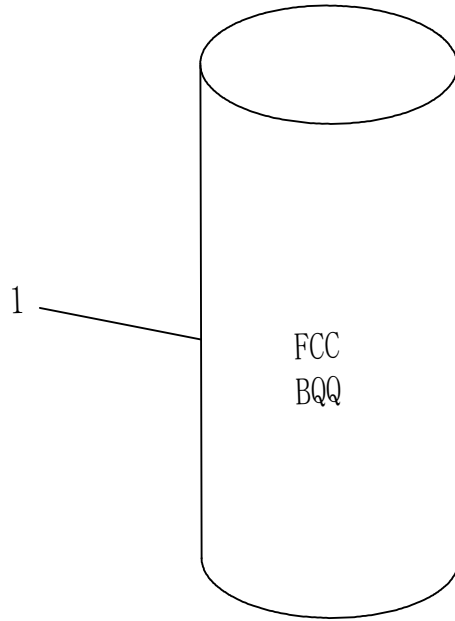
**USE ONLY GAS TYPE AND GAS CATEGORY ENTERED IN THIS MANUAL.**

DESTINATION OF COUNTRIES TO USE	VALVE SIZE	GAS TYPE	GAS CATEGORY
AL, CY, CZ, DK, EE, FI, FR, HU, IT, LT, NL, NO, RO, SE, SI, SK, HR, TR, BG, IS, LU, MT, MK, GB, GR, LV, IS	Ø 1.42 mm	G30(Butane G31 Propane) and their mixtures	I3B/P(30)

**CE 2575-23**

The product is manufactured in accordance with European Gas Appliances Regulation (EU) 2016/426

**F C C  
B B Q  
TERRAZZA**



---

Code	Description	Qty
1	Cover	1
2	Glass windshield	1
3	Fire Pit body	1
4	Lava rocks	1

**WARNING!**

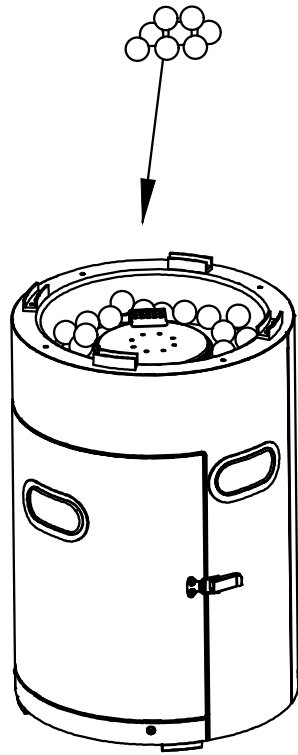
DO NOT USE ELECTRICAL TOOLS TO ASSEMBLE THE GAS FIRE PIT.  
TOOLS WITH EXCESSIVE FORCE MAY DAMAGE THE SURFACE COATING OF  
SCREWS, DAMAGE ENAMEL/PAINTED PARTS OF THE MODULES, AND LOOSEN  
PRE-FITTED NUTS.

# 6

# ASSEMBLY

## STEP 1

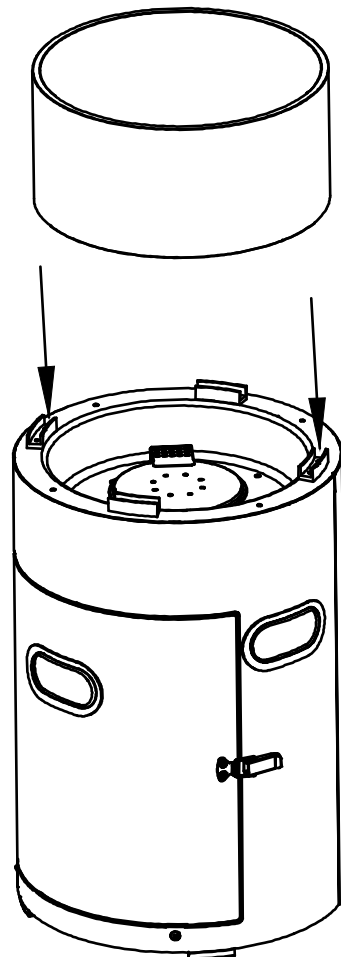
Place the lava rock into the fire pit.



PLACE A PIECE OF CARDBOARD ON THE FLOOR (E.G THE OUTER CARTON) TO PREVENT SCRATCHING THE UNIT AND PARTS DURING ASSEMBLY.

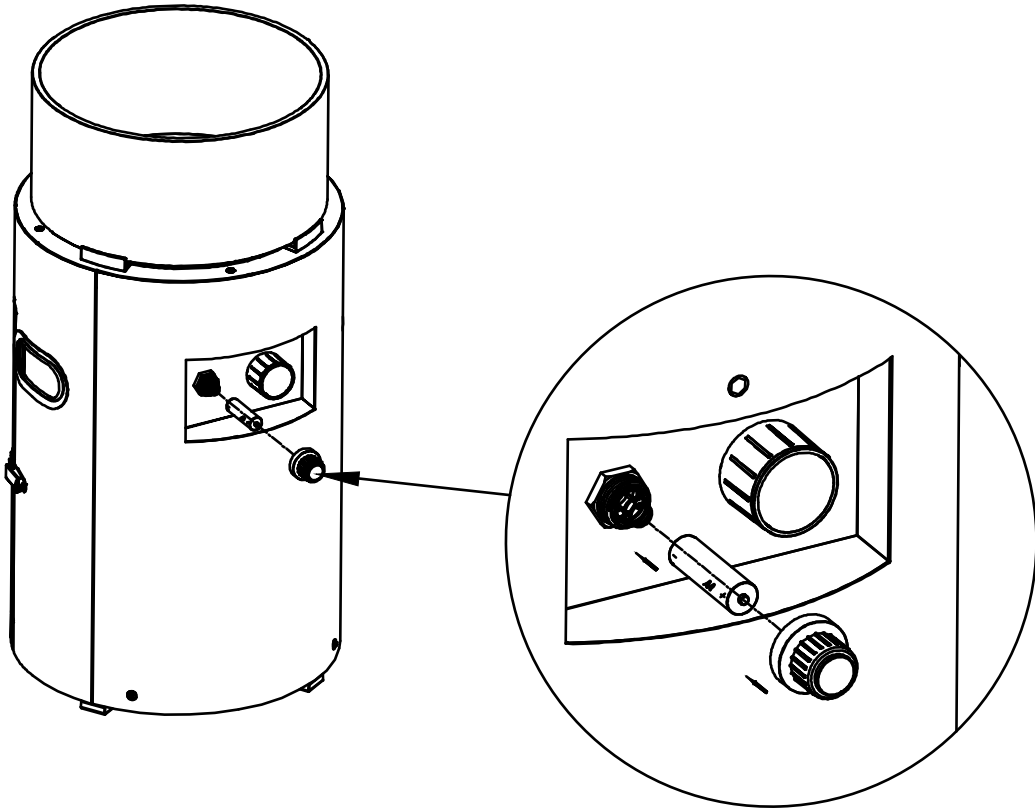
## STEP 2

Slide the windshield glass into the slots.



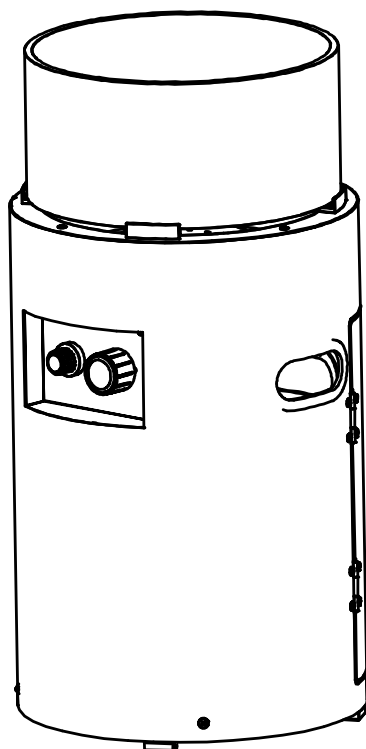
## STEP 3

Turn the battery box lid counterclockwise to open. Insert 1x AAA battery (not supplied) into the box. Close the cap by turning it clockwise.



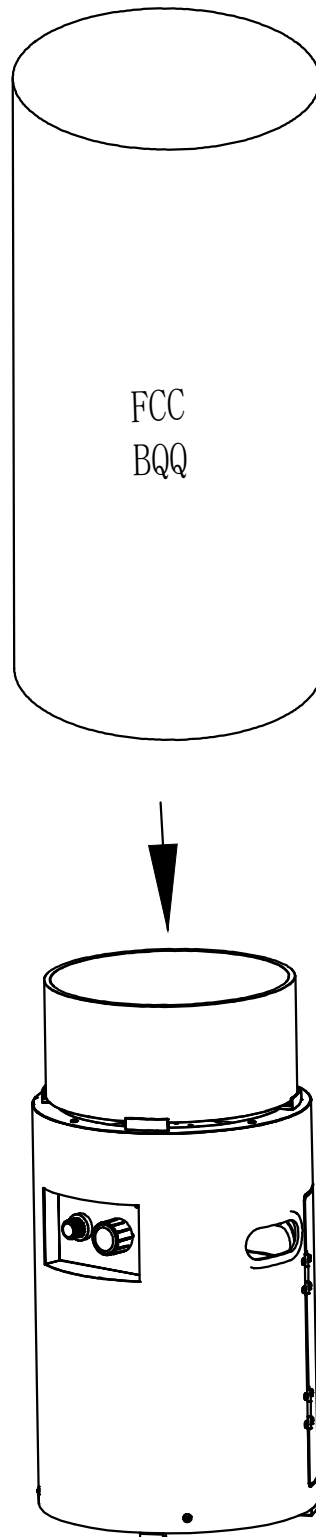
## STEP 4

The fire pit is now fully assembled.



## STEP 5

Use the protective cover when the gas firepit is not in use. Make sure the fire pit is completely cooled off before putting the cover on.



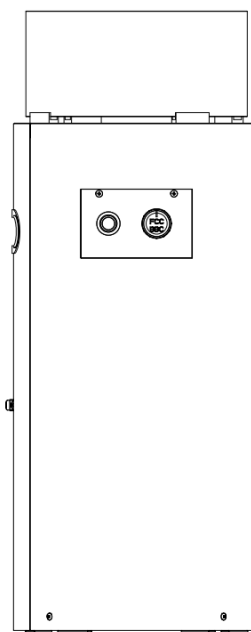


- ACCESSIBLE PARTS OF THE GAS FIRE PIT BECOME VERY HOT DURING USE. KEEP CHILDREN AND OTHERS WHO NEED SUPERVISION AT A SAFE DISTANCE.
- THE GAS FIRE PIT IS INTENDED FOR OUTDOOR USE ONLY IN WELL-VENTILATED AREAS.
- LEAK TESTS (PAGE 11) MUST ALWAYS BE CARRIED OUT BEFORE USING THE GAS FIRE PIT AND WHEN REPLACING THE GAS CYLINDER. ALSO PERFORM A LEAK TEST IF THE PRODUCT HAS NOT BEEN IN USE FOR A LONG TIME AND IN ADVANCE OF A NEW SEASON. ALWAYS CHECK THE GAS HOSE FOR DAMAGE AND CRACKS BEFORE USING THE GAS FIRE PIT.
- THE GAS FIRE PIT SHOULD NOT BE USED IN HIGH WINDS.
- NEVER USE THE GAS FIRE PIT IN CLOSED ROOMS OR UNDER ROOFS, AS THIS MAY LEAD TO A LACK OF OXYGEN.
- FAILURE TO FOLLOW THE INSTRUCTIONS PROVIDED CAN IMPLY A RISK OF SERIOUS INJURY TO PERSONNEL AND FIXED INSTALLATIONS.
- REBUILDING/MODIFYING THE GAS FIRE PIT TABLE CAN CAUSE DANGER AND WILL INVALIDATE THE WARRANTY.
- IN WINTER / IN CASE OF FROST, THE GLASS WIND SHIELD MUST BE STORED INDOOR AT ROOM TEMPERATURE TO AVOID FROSTBITE.
- ALWAYS SUPERVISE THE GAS FIRE PIT DURING USE AND KEEP SUITABLE EXTINGUISHING EQUIPMENT WITHIN REACH.
- THE GAS FIRE PIT SHOULD NOT BE OPERATED BY INTOXICATED PERSONS.
- THE GAS FIRE PIT MUST NOT BE USED IN PLACES THAT ARE BELOW NORMAL GROUND LEVEL. GAS CAN ACCUMULATE AND REPRESENT A DANGER OF EXPLOSION. GAS ACCUMULATION CAN ALSO CAUSE OXYGEN DEFICIENCY.
- THE GAS FIRE PIT SHOULD NOT BE USED TO PREPARE FOOD



### PLACEMENT OF THE GAS FIRE PIT

- Ensure that the gas fire pit is placed at least 150 cm in all directions from house walls, trees, plants and other flammable materials or liquids when in use.
- Do not place the gas fire pit under a roof or overhang.
- Make sure that the gas fire pit is placed in a well-ventilated place to avoid carbon monoxide poisoning.
- The gas fire pit must not be used below normal ground level, as this can lead to an explosion hazard and a risk of lack of oxygen.



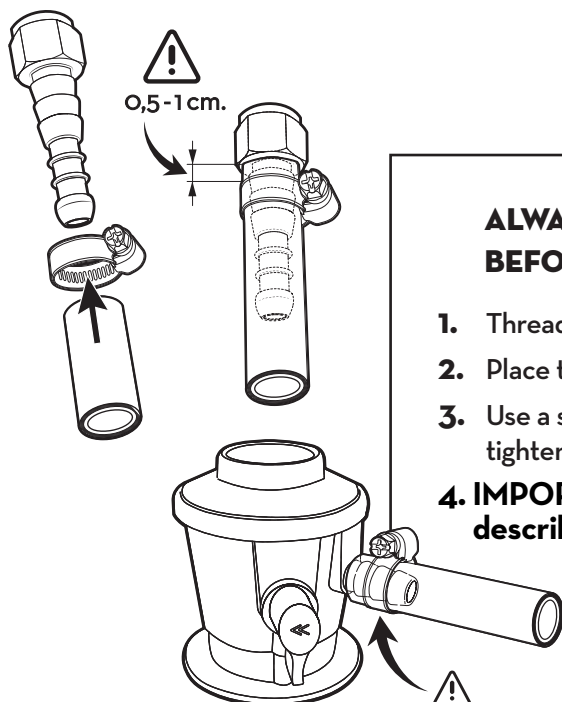
**FOLLOW THESE INSTRUCTIONS CAREFULLY TO AVOID SERIOUS DAMAGE TO YOUR GAS FIRE PIT TABLE AND CAUSE PERSONAL INJURY.**

### HOSE

- Connect the gas hose to the gas inlet on the gas fire pit. Tighten well.
- Install the regulator and hose. Follow the installation instructions that came with the controller set.
- Do not use sealing tape, glue or liquid on the connection.
- Gas hoses used for this product must not be longer than 120 cm.
- Check the gas hose regularly for cracks, damage and rot.  
**Never use a damaged gas hose.**

### REGULATOR

- Check that all controls on the control panel are in the OFF position before connecting the regulator to the gas cylinder.
- Connect the regulator to the gas cylinder according to your regulator and the cylinder dealer's instructions.
- We recommend propane gas for use in the Nordic countries, but butane can also be used. Butane is poorly suited for low temperatures.
- Check that the regulator is not damaged.
- Check that the gas cylinder is on a firm, level surface and is lower than the gas inlet on the gas fire pit.
- Use an approved gas cylinder that fits the regulator.  
Cylinders of 5 kg is recommended.



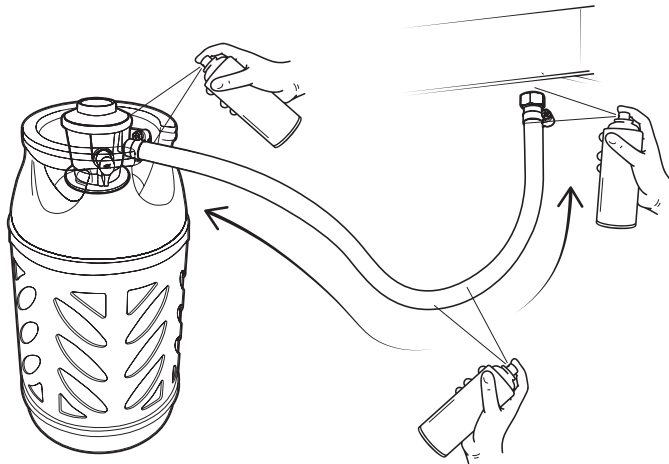
#### **ALWAYS PERFORM A LEAK TEST BEFORE USING THE GAS FIRE PIT!**

1. Thread the hose all the way into the gas nipple.
2. Place the hose clamp 0.5 - 1 cm from the end of the hose.
3. Use a socket wrench (size 7), wrench (size 7) or screwdriver to tighten the hose clamp and tighten well.
4. **IMPORTANT! A gas leak test must be performed as described on next page before using the gas fire pit.**

*If the hose is too tight to thread onto the gas nipple, use soap at the tip of the hose. Never use flammable liquids. Alternatively, dip the tip of the hose in boiling water, and the hose will expand.*

**BEFORE USING THE GAS FIRE PIT, A LEAK TEST MUST BE CARRIED OUT!**

**NEVER CHECK FOR LEAKS BY USING AN OPEN FLAME! USE A LEAK SPRAY OR ALTERNATIVELY A SOAPY WATER MIXTURE (TWO PARTS DISHWASHING SOAP AND ONE PART WATER).**



*Leak spray*

### **GAS LEAK TEST**

1. Extinguish all live flames, heat sources and cigarettes in the area where the leak test is to be performed.
2. Turn all controls on the gas fire pit to the OFF position.
3. Set the regulator to the OFF position and connect it to the gas cylinder.
4. Spray the leaking spray (or brush the soap mixture) on all joints and connections on the gas cylinder, regulator, the entire hose and all valves on the gas fire pit.
5. Open the gas supply on the regulator and carefully check for bubbles in any of the places where the spray mixture is applied.
6. **IF BUBBLES OCCUR, CLOSE THE GAS SUPPLY AND TIGHTEN ALL CONNECTIONS/ JOINTS. THEN DO A NEW TEST.**

**! THE GAS FIRE PIT MUST NOT BE USED UNTIL YOU ARE SURE THERE ARE NO LEAKS. GAS LEAK CAN CAUSE UNCONTROLLED FIRE WHICH MAY INJURY PERSONS, FIXED INSTALLATIONS AND THE GAS FIRE PIT.**

7. If detected leakage cannot be rectified, do not attempt to cure leakage but consult your dealer or FCC BBQ Products support at [support@fccbbq.com](mailto:support@fccbbq.com) for help in solving the problem.

- **LEAK TEST MUST BE DONE REGULARLY AND EVERY TIME THE GAS CYLINDER, REGULATOR OR HOSE IS REPLACED.**

**! ALSO TEST BEFORE NEW SEASON AND IF THE GAS FIRE PIT HAS NOT BEEN USED FOR A WHILE.**

- **WE RECOMMEND TO PERFORM A GAS LEAK TEST AT LEAST TWICE A SEASON, REGARDLESS OF WHETHER YOU HAVE CHANGED THE GAS BOTTLE OR NOT.**

- 
- **THE GAS FIRE PIT IS INTENDED FOR OUTDOOR USE.**
  - If the gas fire pit is to be stored outdoors all year, then you must ensure that water is drained from the gas fire pit and that it is not left standing with water in the frame. This can cause frost damage and will not be covered by warranty.
  - All metals can rust under the right conditions.
  - Salts, sea air, bird droppings, paint scratches, and other strain may harm the finish over time. Clean regularly to prevent this from occurring.
  - Note! The gas fire pit may have sharp edges. We have done our best to remove sharp edges during production, but we recommend to exercise caution when handling the product.
  - THIS PRODUCT IS DESIGNED FOR USE IN DOMESTIC HOUSEHOLDS AND IS NOT INTENDED FOR COMMERCIAL USE IN RESTAURANTS OR SIMILAR VENUES
  - The painted surface of the gas fire pit may be affected by sunlight. This does not affect the properties of the gas fire pit and is not covered by warranty. To prevent this, use a cover to protect.
  - The painted surface of the gas fire pit can be worn/scratched during use. This must be fixed to prevent rust from forming in damaged surface areas.
  - The gas fire pit must only be used for its intended purpose and must not be exposed to weight exceeding its maximum specification nor exposed to other loads/strain. **DO NOT STAND OR JUMP ON THE GAS FIRE PIT AS THIS MAY DAMAGE THE PRODUCT.**
  - In the event the gas fire pit is overloaded, the joints and fittings may be damaged, affecting the furniture's strength and structure. This is not covered by warranty.
  - Check for the presence of any damage before assembly. Please contact support@fccbbq.no for any inquiries.
  - The surface of the gas fire pit may become very hot in direct sunlight. Please be aware of this and avoid use in high temperatures, as this may cause injury.
  - The gas fire pit is intended for outdoor use.
  - Do not use electrical tools to assemble the gas fire pit. Tools with excessive force may damage the surface coating of screws, damage enamel/painted parts of the grill, and loosen pre-fitted nuts.
  - Inserting screws wrongly, torquing with excessive force, or using electrical tools may damage the threading. The aluminum frames can bend if you tighten the screws too hard. Damage as such will not be covered by the warranty.
  - Keep children and others who require supervision at a safe distance away to prevent them from climbing on the gas fire pit. This may entail a risk of injury. Children must be supervised by adults when using the gas fire pit.
  - Covers must not be applied before the gas fire pit is completely cool and dry. Moisture on the inside of covers may cause large formations of surface rust and damage to painted components.

## COATED AND STAINLESS STEEL PARTS

Inadequate maintenance/cleaning may cause the stainless steel parts of the fire pit begin to rust. To maintain the great appearance and surface of the fire pit, it must be regularly cleaned using gentle cleaning agents and warm water to remove salt, grease and other residue that can harm the surface. After washing, dry the surface off with a soft cloth. Make sure the fire pit is completely dry before putting a cover over it.

- Coated surfaces must be treated with a polishing agent (e.g., car polish).
- Stainless steel parts must be treated with a thin layer of acid-free oil one to two times per year.
- For fire pits kept in coastal areas, we recommend performing treatment more often to prevent salt carried by wind/rain from causing the surface of the metal to rust.
- Surface rust can be removed by cleaning the surface and applying a polishing agent. Please note that the warranty only covers rust perforation.

## SHORT AND LONG-TERM STORAGE

- Clean the gas fire pit before storing and make sure provide it with extra protection. Use suitable cleaning products and wipe it down with a damp cloth.
- Make sure that the fire pit table is dry and not heated before storing under a furniture cover. If this is skipped, it may create a reaction with the cover, or leave stains or undesirable marks on the furniture. If there is moisture on the furniture, it may cause frost damage to the frame or joints. This may expand and damage the structure if ice forms. Ensure that there is no water in the frame before storage. If present, any water must be drained using the drainage holes.
- If you are storing the furniture in a cover during the winter, ensure proper ventilation.
- The furniture must be stored right side up to prevent water from entering the frame.
- Please note that damage caused by improper storage and/or frost damage will not be covered by warranty.
- If the furniture is to be stored outdoors all year, then you must ensure that water is drained from the furniture and not left standing with water in the frame. This can cause frost damage and will not be covered by warranty.
- **IN CASE OF FROST, THE GLASS WIND SHIELD MUST BE STORED INDOOR AT ROOM TEMPERATURE TO AVOID FROSTBITE!**

## CLEANING

All cleaning and maintenance must be performed when the gas fire pit is cold. Make sure that the gas supply is switched OFF and the regulator is disconnected from the gas cylinder.

Use a mixture of dishwashing detergent and water, and a microfiber cloth. Do not use caustic soda, alcoholic or abrasive detergents. This can damage the gas fire pit and cause a fire.

## LACQUERED PARTS AND PARTS IN GLASS

The gas fire pit is made of lacquered steel. Lack of maintenance/cleaning, can cause the material to rust. To keep the gas fireplace's beautiful design and surface, it is recommended to use mild non-abrasive cleaning agents and warm water. Dry the surface with a non-abrasive cloth. Lacquered surfaces are treated with car wax. The glass is made of tempered glass and can shatter upon impact/impact/pressure.

## INSECTS AND VERMIN

After long-term storage, insects and other vermin can be found in the gas fire pit.

If you experience problems with lighting or irregular flames, it can be due to unwanted guests blocking the gas supply. Dust/remains of lava stones in the burner or the spark plug can also occur.

Remove lava stones and clean burner/ignitor.



### **WARRANTY CLAIM**

This product is covered by a warranty in accordance with consumer legislation. It has undergone strict quality controls and testing at the factory. If there are any parts missing or the product has been damaged, please contact your dealer or the consumer contact below for help.

In the event of damage to the product, we ask for pictures of the damage and damage to the product's packaging is attached to the complaint.

Faults due to misuse, lack of maintenance or modification of the product will invalidate the warranty. Damaged parts not due to a fault with the product will be invoiced according to our price list + carriage and administration fee.

If new parts are needed or in the event of a warranty claim, please contact your dealer or consumer contact:

### **FCC PRODUCTS AS**

KJELLER VEST 3, 2007 KJELLER,  
NORWAY

 +47 924 78 600

Support opening hours: Mon-Fri 10:00-14:00

 support@fccbbq.com

**FCCBBQ.NO**

**FCCBBQ.SE**

**FCCBBQ.COM**

**Always attach your receipt when making a warranty claim.**

---

PRODUCED IN CHINA FOR FCC PRODUCTS

We are always looking for ways we can improve our products. Therefore, we reserve the right to change technical specifications at any time. You will always find the latest manual on [WWW.FCCBBQ.COM](http://WWW.FCCBBQ.COM).