

The Flying Culinary Circus.

FCCBBQ



Tjøme sidetable with sink

INSTRUCTION MANUAL & MAINTENANCE

FCC-PG-19504/ TOO225

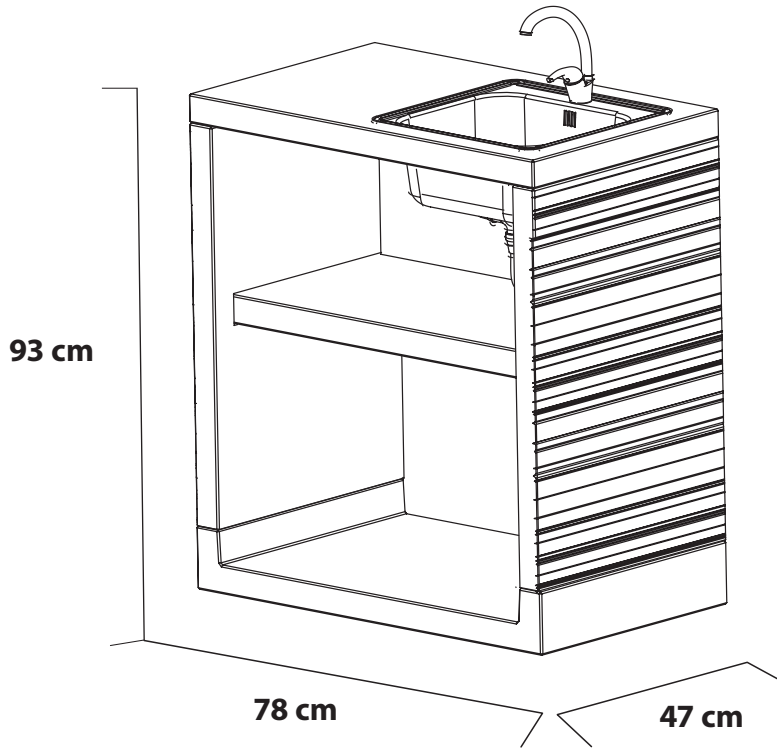


! OUTDOOR USE ONLY

READ THE OPERATING INSTRUCTIONS AND WARNINGS BEFORE USING THE APPLIANCE.

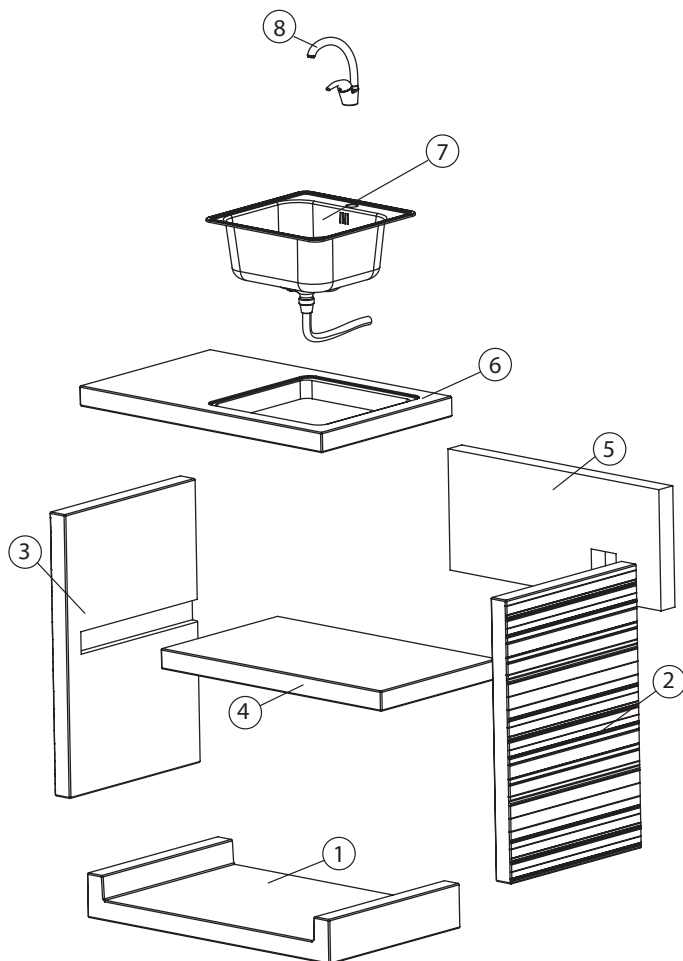
Share the fun of cooking!

Technical info



 180 kg

Overview parts



MOUNTING AND USE

Read the following instructions carefully

We remind you that the setting up of a concrete elements requires a given technical know-how in assembly methods, thus we recommend hiring installers with the skills for this purpose.

When opening the barbecue package be careful as you remove the straps that hold the concrete components. These could fall and cause damage or injury to people and objects.

BEFORE BEGINNING THE ASSEMBLY

When selecting a place to assembly this product, favor those places that are external and covered, sheltered from wind, humidity and direct sunlight. Selecting a good place for this product, will ensure that it will keep its original look for a longer period.

The product must necessarily be set over a flat surface, rigid and level. If the base surface does not meet the conditions required, the assembly will be deficient and upset the look and structural integrity.

For the assembly, the use of mortars with high resistance cement and quick dry cement is not allowed, e.g. white cement, aluminium cement or similar, refractory cement, or cement mortar for laying ceramics. You must use a mortar with 20% low resistance cement and 80% fine sand. As an alternative you may use a fire-resistant silicon with high temperature resistance. Use of silicon will ensure a better finish in the joints, especially in those models that do not require finishing or painting (plan series, plan fold, ego and kitaway).

The product must be installed to allow the dilation/contraction typical for this type of product, otherwise there could be fissures. Use a very thin layer of bricklayer's mortar or silicon to ensure the natural dilation between the components.

MAINTENANCE

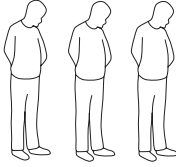
To clean the product, use only water and a cloth or abrasive sponge, "scotch brite" type. The concrete components can also be cleaned occasionally with water and a nylon hairbrush. When you clean the concrete components with water, remove all the other components of metal so that they do not become we

Durability of this product will depend upon good practices of use and maintenance.

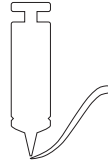
We also inform you that a few accessories for the use and maintenance of your product are available.

Inquire at the shop where you acquired this product or consult our website www.fccproducts.no.

Assembly



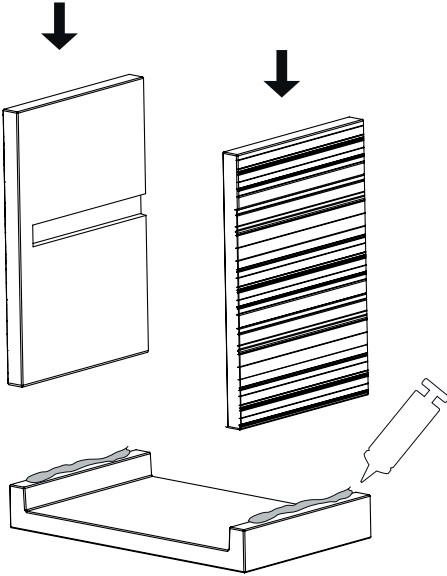
3 x recommended



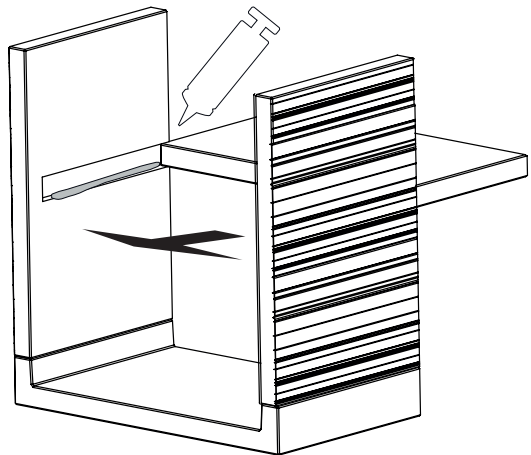
Heat-resistant silicon



1

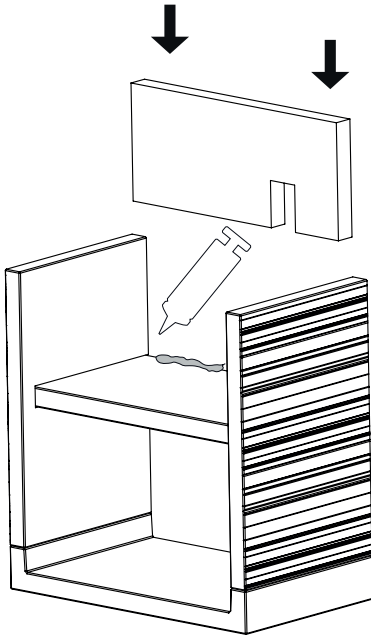


2

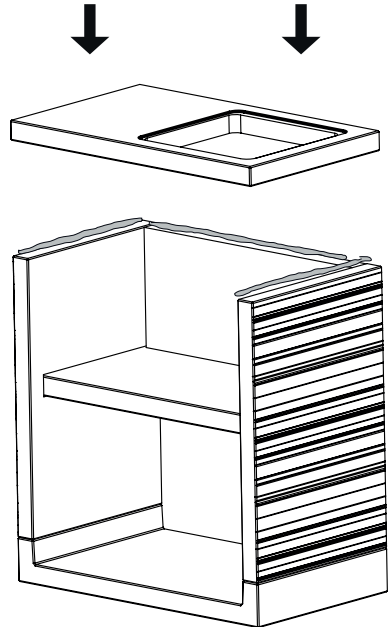


Assembly

3

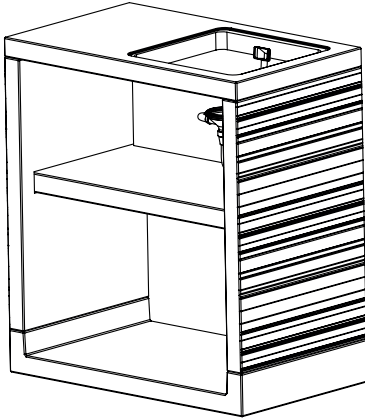
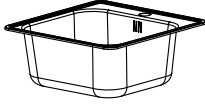


4

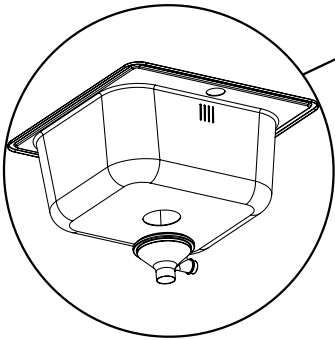
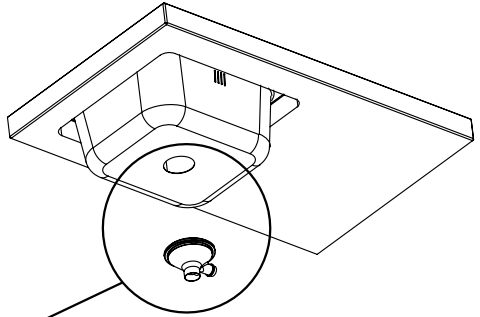


Assembly

5

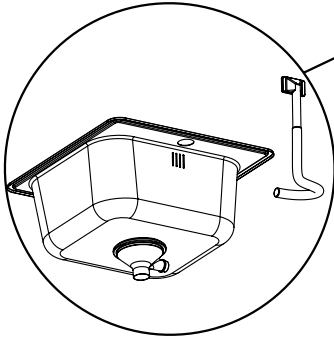
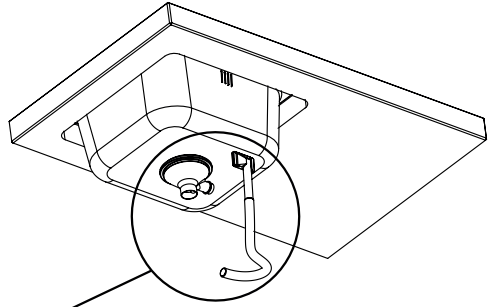


6

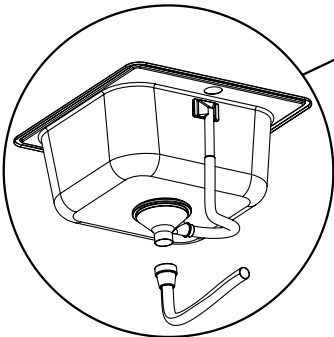
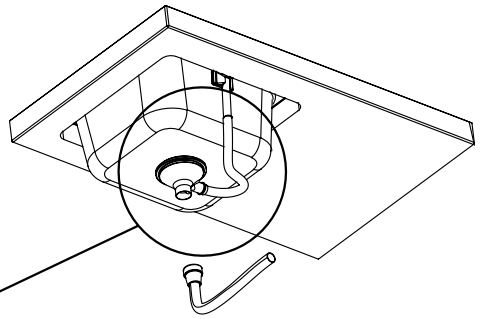


7

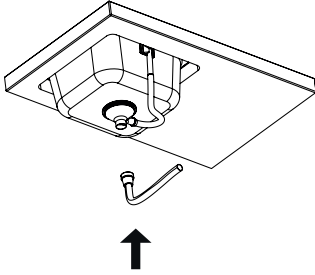
7



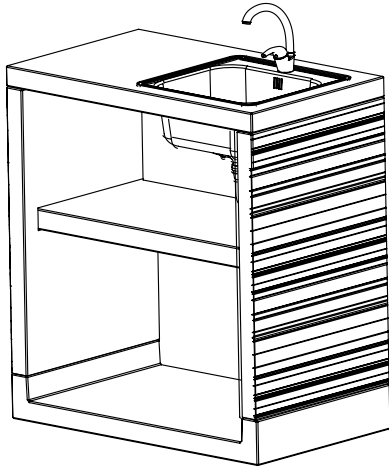
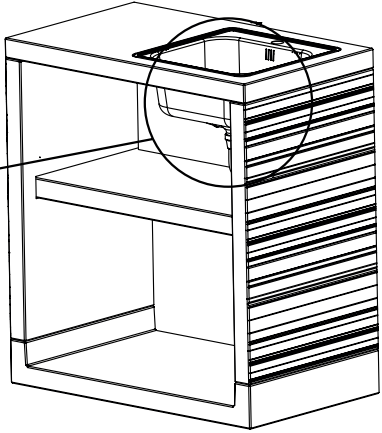
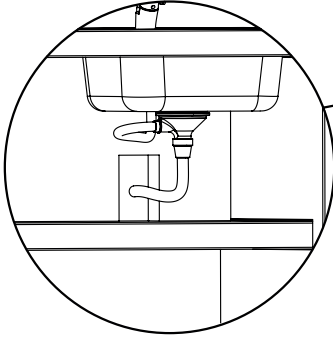
8



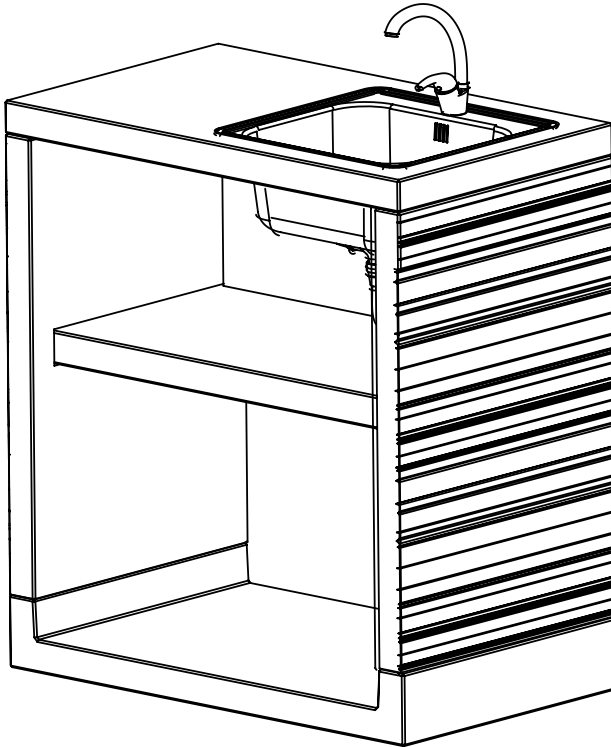
Assembly



9



Assembly



PLEASE KEEP THIS BROCHURE FOR FUTURE NEED

IN CASE THERE ARE STILL DOUBTS ABOUT ASSEMBLY AND USE OF THIS PRODUCT, PLEASE CONSULT THE SALESMAN AT THE SHOP WHERE YOU ACQUIRED THE GRILL OR CONSULT OUR WEBSITE WWW.FCCPRODUCTS.NO

The Flying Culinary Circus



Our story

In 2005 four talented young chefs left for New York, asked to cook at an event in Central Park. They enjoyed working together and the guests really appreciated the food. One of the guests was so enthusiastic he booked the four chefs for another event in Los Angeles.

The idea of “The Flying Culinary Circus” was created.

Fast forward – The chefs have now travelled to more than 60 countries all over the world. Royalties as well as celebrities have enjoyed the culinary concept the chefs offer tremendously. But, as the chefs say “it’s not about how famous our guests are, it is all about sharing the fun of cooking».

Consumer Contact

This product is covered by a warranty in accordance with consumer legislation. It has undergone strict quality controls and testing at the factory.

If there are any parts missing or the product has been damaged, please contact your dealer or the consumer contact below for help.

Faults due to misuse, lack of maintenance or modification of the product will invalidate the warranty. Damaged parts not due to a fault with the product will be invoiced according to our price list + carriage and administration fee.

If new parts are needed or in the event of a warranty claim, please contact your dealer or consumer contact:

FCC PRODUCTS AS

KJELLER VEST 3, 2007 KJELLER, NORWAY

+47 924 78 600

✉ support@fccproducts.no

www.fccproducts.no

Always attach your receipt when making a warranty claim.

Produced in China for FCC Products Co., Ltd.

We are always looking for ways we can improve our products.
Therefore, we reserve the right to change technical specifications at any time.
You will always find the latest manual on www.fccproducts.no.