

The Flying Culinary Circus

FCCBBQ



Trolley

INSTRUCTION MANUAL



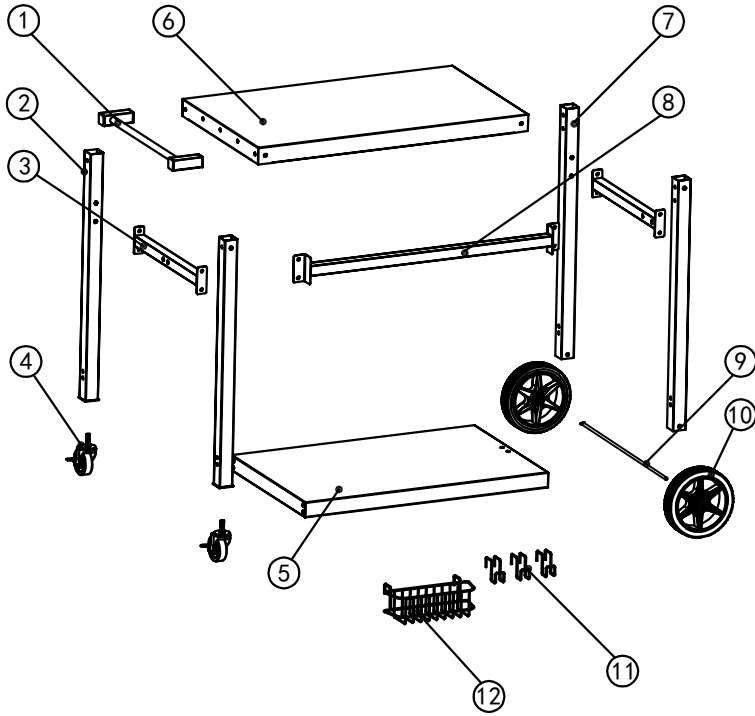
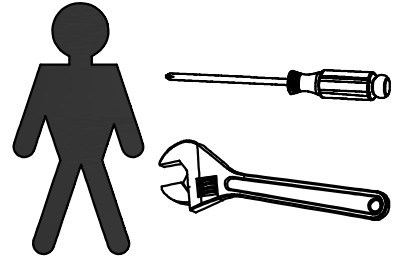
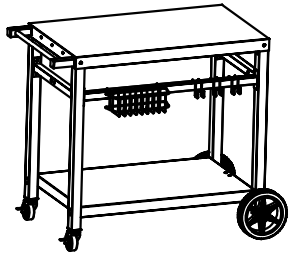
FCC-G-18050-00



Share the fun of cooking!

Parts list

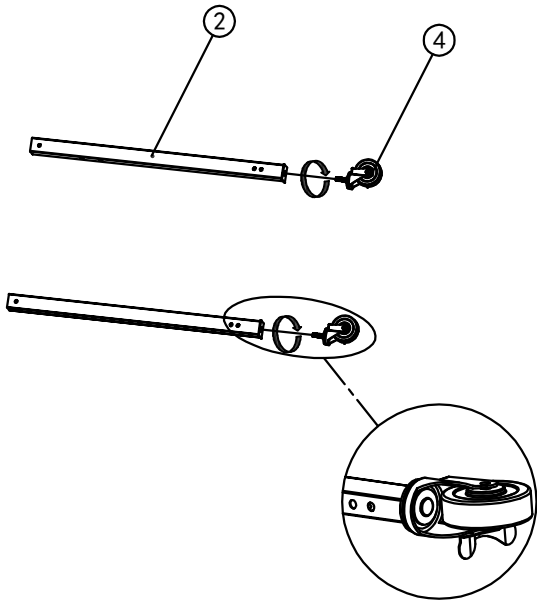
FCC-G-18050-00



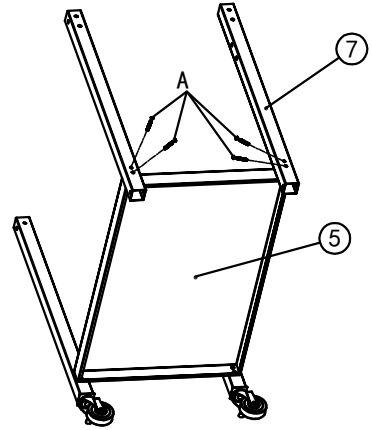
① *1 	② *2 	③ *2
④ *2 	⑤ *1 	⑥ *1
⑦ *2 	⑧ *1 	⑨ *1
⑩ *2 	⑪ *3 	⑫ *1
A M6-50*12 	B M6-12*12 	C *1
D M6*2 	E *1 	


Assembly

1

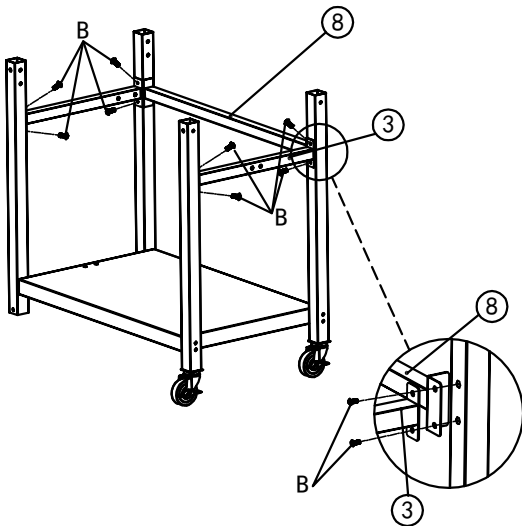


2



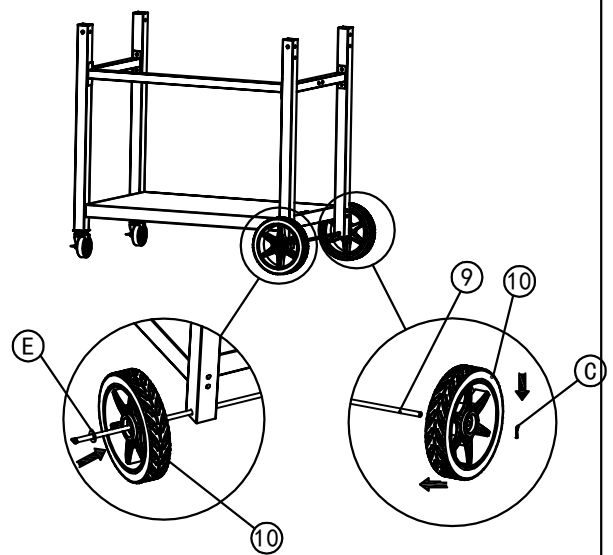
A  8PCS



3



B  8PCS

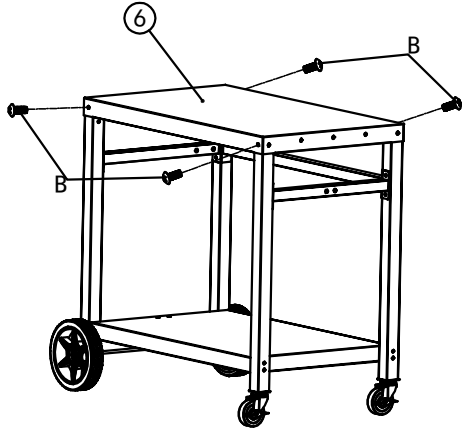
4



E  1PCS
C  1PCS

Assembly

5

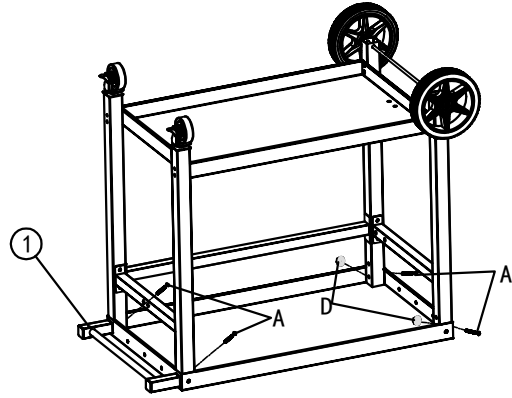


B



4PCS

6



D



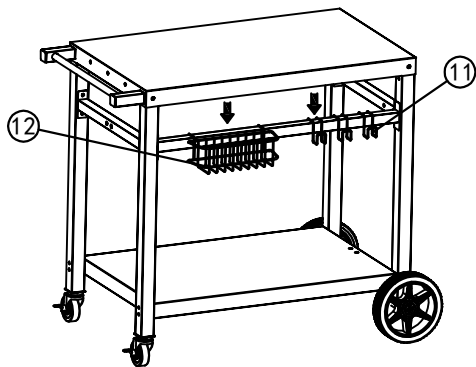
2PCS

A



4PCS

7



Trolley



Our story

In 2005 four talented young chefs left for New York, asked to cook at an event in Central Park. They enjoyed working together and the guests really appreciated the food. One of the guests was so enthusiastic he booked the four chefs for another event in Los Angeles.

The idea of “The Flying Culinary Circus” was created.

Fast forward – The chefs have now travelled to more than 56 countries all over the world. Royalties as well as celebrities have enjoyed the culinary concept the chefs offer tremendously. But, as the chefs say “it’s not about how famous our guests are, it is all about sharing the fun of cooking».

Consumer Contact

This product is covered by a warranty in accordance with consumer legislation. It has undergone strict quality controls and testing at the factory.

If there are any parts missing or the product has been damaged, please contact your dealer or the consumer contact below for help.

Faults due to misuse, lack of maintenance or modification of the product will invalidate the warranty. Damaged parts not due to a fault with the product will be invoiced according to our price list + carriage and administration fee.

If new parts are needed or in the event of a warranty claim, please contact your dealer or consumer contact:

FCC PRODUCTS AS

KJELLER VEST 3, 2007 KJELLER, NORWAY

☎ 031 189095

✉ support@fccbbq.com

www.fccbbq.com

Always attach your receipt and product serial number when making a warranty claim.
Serial number is located on the side of the BBQ.

Produced in China for FCC Products Co., Ltd.

We are always looking for ways we can improve our products. Therefore, we reserve the right to change technical specifications at any time. You will always find the latest manual on www.fccproducts.no.