

*The Flying Culinary Circus.*

**FCCBBQ**



# Tjøme pizza oven

**INSTRUCTION MANUAL & MAINTENANCE**

**FCC-PG-19505/ 807 1/1**

**FOR TJØME SMALL**

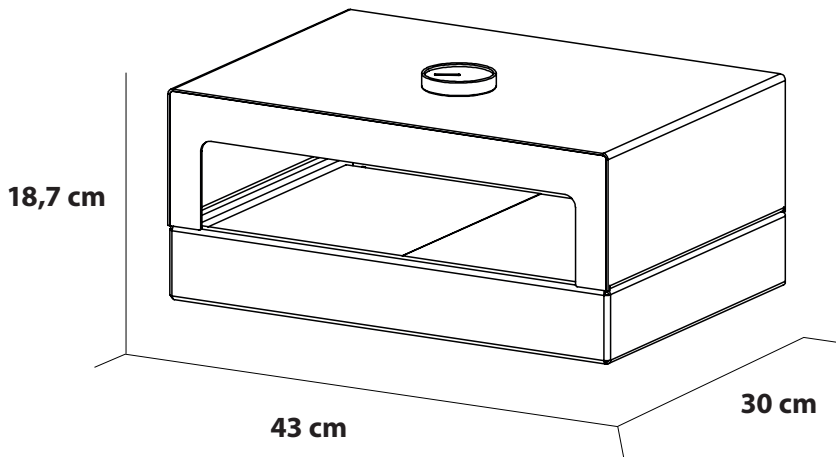


**OUTDOOR USE ONLY**

READ THE OPERATING INSTRUCTIONS AND WARNINGS BEFORE USING THE APPLIANCE.

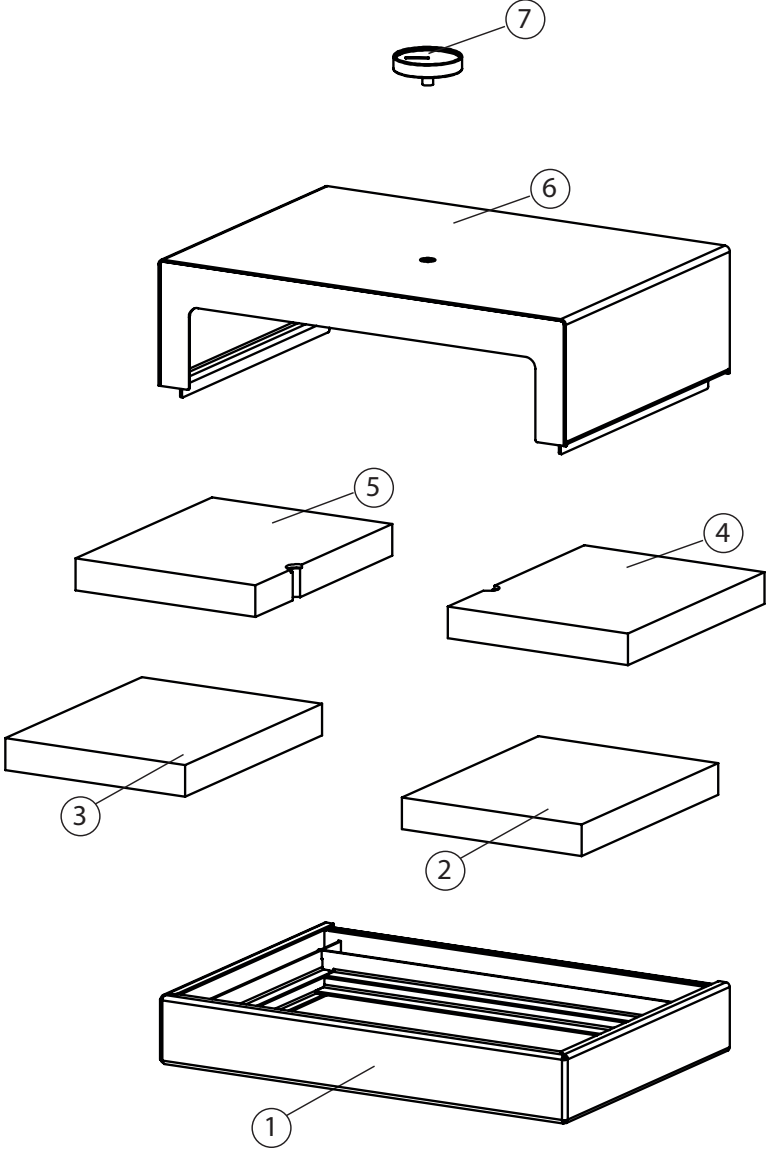
*Share the fun of cooking!*

## Technical info



 16 kg

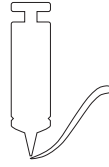
# Overview parts



# Assembly



1x



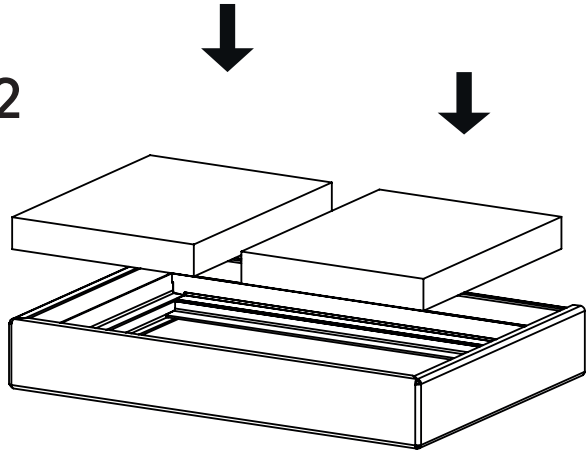
Refractory silicon



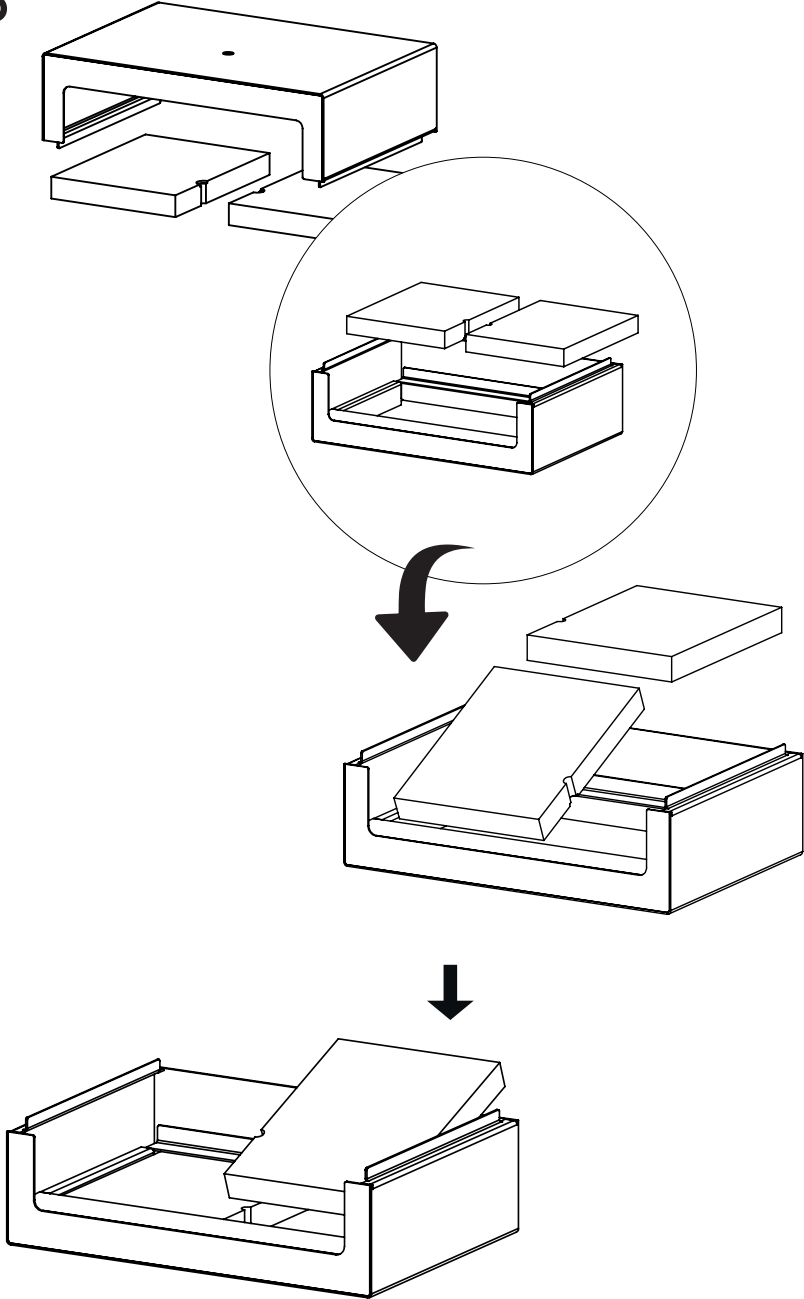
1



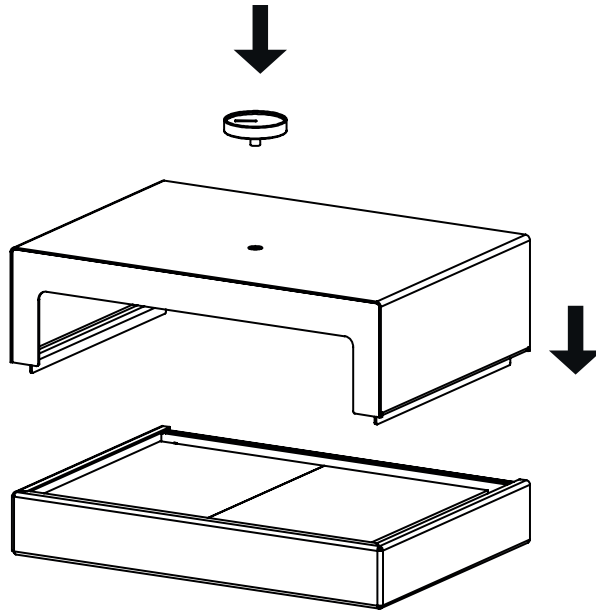
2



3



4



## MAINTENANCE

1. Before using the pizza stones for the first time, they must be washed by hand with a cloth and water.
2. The pizza stones should always be cold before removing them from the grill or the oven for cleaning. Use a nylon sponge to remove food residue. Never use soap or other detergent for cleaning, as the stone will absorb and may transfer this in contact with food.
3. To remove stains, make a mixture of water and baking soda and use a brush or nylon sponge. Rinse the stone with water afterwards.
4. Do not soak the pizza stones in water.
5. Do not wash in dishwasher.
6. Never use self-cleaning programs in ovens to clean the pizza stones.

### PLEASE KEEP THIS BROCHURE FOR FUTURE NEED

IN CASE THERE ARE STILL DOUBTS ABOUT ASSEMBLY AND USE OF THIS PRODUCT, PLEASE CONSULT THE SALESMAN AT THE SHOP WHERE YOU ACQUIRED THE GRILL OR CONSULT OUR WEBSITE [WWW.FCCPRODUCTS.NO](http://WWW.FCCPRODUCTS.NO)

# The Flying Culinary Circus



## Our story

In 2005 four talented young chefs left for New York, asked to cook at an event in Central Park. They enjoyed working together and the guests really appreciated the food. One of the guests was so enthusiastic he booked the four chefs for another event in Los Angeles.

The idea of “The Flying Culinary Circus” was created.

Fast forward – The chefs have now travelled to more than 60 countries all over the world. Royalties as well as celebrities have enjoyed the culinary concept the chefs offer tremendously. But, as the chefs say “it’s not about how famous our guests are, it is all about sharing the fun of cooking».

## Consumer Contact

This product is covered by a warranty in accordance with consumer legislation. It has undergone strict quality controls and testing at the factory.

If there are any parts missing or the product has been damaged, please contact your dealer or the consumer contact below for help.

Faults due to misuse, lack of maintenance or modification of the product will invalidate the warranty. Damaged parts not due to a fault with the product will be invoiced according to our price list + carriage and administration fee.

If new parts are needed or in the event of a warranty claim, please contact your dealer or consumer contact:

### FCC PRODUCTS AS

KJELLER VEST 3, 2007 KJELLER, NORWAY

+47 924 78 600

✉ support@fccproducts.no

www.fccproducts.no

**Always attach your receipt when making a warranty claim.**

**Produced in China for FCC Products Co., Ltd.**

We are always looking for ways we can improve our products.  
Therefore, we reserve the right to change technical specifications at any time.  
You will always find the latest manual on [www.fccproducts.no](http://www.fccproducts.no).